

**IMPORTANT:**  
THESE INSTRUCTIONS ARE TO  
REMAIN WITH THE HOMEOWNER.  
PLEASE SAVE THESE INSTRUCTIONS.

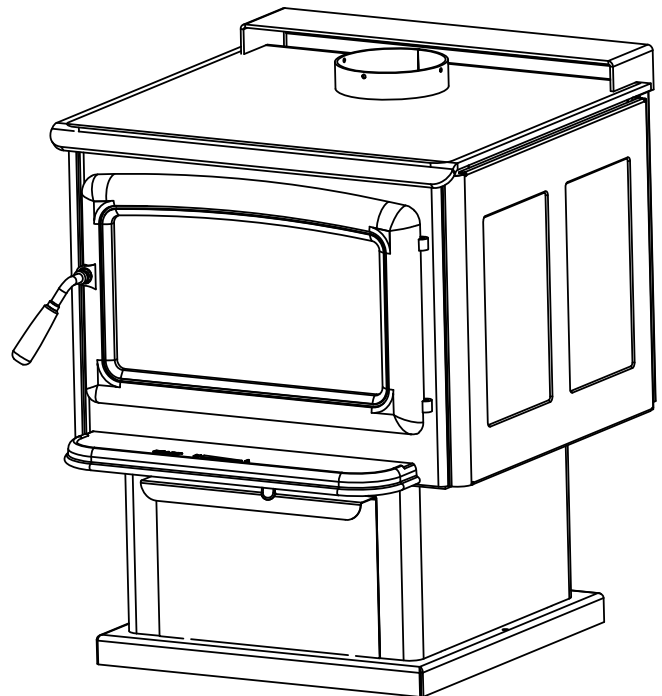
**PACIFIC  
ENERGY**

SERIAL #

## SAFETY NOTICE

If this stove is not properly installed, a house fire may result. For your safety, follow the installation instructions. Contact local building or fire officials about restrictions and installation inspection requirements in your area.

## INSTALLATION AND OPERATING INSTRUCTIONS



TESTED and LISTED to CAN/ULC S627  
AND UL 1482  
Meets the Environmental Protection  
Agency's July 1990 Particulate Emission  
Standards



We endorse  
**NFI** NATIONAL  
FIREPLACE  
INSTITUTE  
A CERTIFICATION AGENCY



**MODEL:  
SUMMIT  
SUMMIT CLASSIC  
SERIES-B**

# Contents

**NOTE:**

**WE STRONGLY RECOMMEND THAT SMOKE DETECTORS BE INSTALLED.**

If smoke detectors have been previously installed, you may notice that they are operating more frequently. This may be due to curing of stove paint or fumes caused by accidentally leaving the fire door open. Do not disconnect the detectors. If necessary, relocate them to reduce their sensitivity.

**SAFETY NOTICE:**

**If this stove is not properly installed, a house fire may result. For your safety, follow the installation instructions. Contact local building or fire officials about restrictions and installation inspection requirements in your area.**

Please read this entire manual before you install and use your new room heater. Failure to follow instructions may result in property damage, bodily injury, or even death.

- Safety and Maintenance..... 3**
- Maintenance Checks ..... 4**
- Creosote ..... 5**
  - Formation and Need for Removal..... 5
  - Chimney Fires..... 5
  - In Case of a Chimney Fire ..... 5
  - Avoiding a Chimney Fire..... 5
- Minimum Clearance to Combustibles..... 6**
  - Single Wall Connector - Residential..... 6
  - Double Wall Connector - Residential ..... 6
  - Double Wall Connector - Mobile Home..... 6
- Assembly..... 6**
  - Crate Removal..... 6
  - Pedestal Kit..... 6
  - Black or Plated Leg Kit ..... 6
  - Optional Ash Cleanout System ..... 6
- Mobile Home Installation ..... 7**
  - Clearances ..... 7
  - Procedure:..... 7
  - Listed Chimney and Chimney Connector ..... 8
- Residential Installation ..... 9**
  - Clearances ..... 9
  - Chimney and Connector..... 9
  - Double-Wall Connector..... 9
  - Single-Wall Connector..... 9
  - Procedure ..... 9
- Floor Protector..... 10**
- Combustion Air..... 10**
- Operation..... 11**
  - Wood Selection..... 11
  - How to Test Your Wood ..... 11
  - Lighting for the First Time ..... 11
  - Lighting a Fire..... 11
  - Normal Operation ..... 11
  - Restarting After Extended or Overnight Burns..... 11
  - More Wood, More Heat..... 12
  - Proper Draft ..... 12
  - Ash Removal ..... 12
  - Disposal of Ashes ..... 12
- Baffle Removal..... 12**
  - Removal..... 12
  - Secondary Air Box Removal and Cleaning:..... 12
- Optional Blower..... 13**
  - Blower Operation ..... 13
  - Optional Outside Air Adaptor ..... 13
- Appendix A..... 13**
  - Troubleshooting ..... 13
  - Understanding & Operating Your Pacific Energy Stove..... 14
  - Replacement Parts ..... 15
  - Replacement Parts - Summit Classic ..... 16
  - Pedestal or Legs Installation Instructions ..... 17
  - Firebrick Installation Instructions ..... 18
  - Label..... 19

# Safety and Maintenance

1. Burn wood only, dry and well seasoned. The denser or heavier the wood when dry, the greater its heat value. This is why hardwoods are generally preferred. Green or wet wood should not be used, as it will reduce heat output, as well as contributing significantly to creosote buildup.

**WARNING: Never use chemicals or any other volatile liquid to start a fire. Do not burn garbage, or flammable fluids such as gasoline, naphtha, or engine oil. We strongly recommend that smoke detectors be installed.**

2. Remove ashes frequently. Embers can roll out the door and create a fire hazard. Maintain a 1" minimum ash base.
3. If glass becomes darkened through slow burning or poor wood, it can readily be cleaned with fireplace glass cleaner when the stove is cold. Never scrape with an object that might scratch the glass. The type and amount of deposit on the glass is a good indication of the flue pipe and chimney buildup. A light brown dusty deposit that is easily wiped off usually indicates good combustion and dry, well-seasoned wood and therefore relatively clean pipes and chimney. On the other hand, a black greasy deposit that is difficult to remove is a result of wet and green wood and too slow a burning rate. This heavy deposit is building up at least as quickly in the chimney.

**WARNING: ONLY USE MATERIALS AND COMPONENTS SUPPLIED OR SPECIFIED BY MANUFACTURER WHEN DOING MAINTENANCE OR REPLACEMENTS.**

4. DOOR GASKETS - The gasket used by Pacific Energy (7/8" medium density fiberglass rope) requires only light pressure to seal. This will prolong seal life. It is important that the door seal be maintained in good condition. Periodically inspect seals and replace if necessary. Follow instructions included in the DR31.WDGKIT, kit obtainable from your nearest Pacific Energy dealer.
5. DOOR GLASS - Do not slam loading door or otherwise impact glass. When closing door, make sure that no logs protrude to impact the glass. If the glass gets cracked or broken, **it must be replaced before using the stove.** Replacement glass can be obtained from your dealer. Use 9-1/2" x 17-1/2" x 5 mm. Ceramic glass only. **Do not substitute with any other type.**

To remove broken glass, undo the four retaining screws and remove clamps and frame, noting position for re-assembly. Remove all particles of glass. Be careful as they are very sharp. Install new glass complete with gasket. Replace frame, clamps and screws.

## CAUTION:

- do not overtighten, tighten screws very carefully
- do not clean glass when hot
- do not use abrasive cleaners on glass

6. The area where boost combustion air enters the firebox must be kept clear of excessive ash buildup which will block air flow. This area is at the front of the firebox.
7. Do not store wood within heater installation clearances, or within the space required for fuel loading and ash removal. Keep the area around the heater clean and free of loose combustibles, furniture, newspapers, etc.
8. If gold door requires cleaning, use mild soap and water only. **Use of abrasive cleaners will void warranty.**
9. Establish a routine for the fuel, woodburning and firing technique. Check daily for creosote buildup until experience shows how often you need to clean to be safe.
10. Be aware that the hotter the fire, the less creosote is deposited. Weekly cleaning may be necessary in mild weather, even though monthly cleaning is usually enough in the coldest months when burning rates are higher.
11. Instruct all members of your family on the safe operation of the heater. Ensure they have enough knowledge of the entire system if they are expected to operate it. Stress the section on chimney fires and the importance of following the steps outlined "In Case of Chimney Fire".

# Maintenance Checks

Check the following parts for damage such as cracks, excessive corrosion, burned out sections and excessive warping: (See website for descriptions and more detail)

## Weekly:

- Firebrick - Visual, for cracking.
- Door Gasket - sagging, placement, damage.

## Monthly

- Brick rail tabs and brick rails.
- Air riser tube in the back of the firebox.
- Back side of airwash chamber.
- Baffle locking pin.
- Boost tube cover.

## When Cleaning the Chimney System:

- Top baffle board/blanket.
- Baffle.
- Top heat shield and mounting bolt.
- Baffle Gasket.
- Brick Rails.
- Manifold.

## Blower:

- The blower should be cleaned out a minimum every six months by using a vacuum on the grill openings in the back and bottom of the blower casing to remove any dust and debris.
- Some warping of the baffle is normal (up to 1/4" or .65cm).
- Replace if the baffle has permanent warping greater than this or has cracking or breakage.
- Please contact your Dealer if you experience any of the damage listed above. Continuing to operate your stove with broken parts may accelerate damage to other parts and may void your warranty

# Creosote

## Formation and Need for Removal

When wood is burned slowly, it produces tar and other organic vapours, which combine with expelled moisture to form creosote. The creosote vapours condense in the relatively cool chimney flue of a slow burning fire. As a result, creosote residue accumulates on the flue lining. When ignited, this creosote makes an extremely hot fire. The chimney connector and chimney should be inspected periodically (at least once every two months) during the heating season to determine if a creosote buildup has occurred. If creosote has accumulated (3 mm. or more), it should be removed to reduce the risk of a chimney fire.

1. Highest smoke densities occur when a large amount of wood is added to a bed of hot coals and the air inlet is closed. The heated wood generates smoke, but without ample air, the smoke cannot burn. Smoke-free, clean burning requires small fuel loads, two or three logs at a time or 1/4 to 1/2 of fuel load and leaving the air inlet relatively wide open, especially during the first 10 to 30 minutes after each loading, when most of the smoke generating reactions are occurring. After 30 minutes or so, the air inlet can be turned down substantially without excessive smoke generation. Wood coals create very little creosote-producing smoke.
2. The cooler the surface over which the wood smoke is passing, the more creosote will be condensed. Wet or green wood contributes significantly to creosote formation as the excess moisture that is boiled off cools the fire, making it difficult for the tars and gases to ignite, thus creating dense smoke and poor combustion. This moisture-laden smoke cools the chimney, compounding the problem by offering the smoke the ideal place to condense.  
In summary, a certain amount of creosote is inevitable and must be lived with. Regular inspection and cleaning is the solution. The use of dry, seasoned wood and ample combustion air will help to minimize the buildup.

## Chimney Fires

The result of excessive creosote buildup is a chimney fire. Chimney fires are dangerous. Chimney inside temperatures can exceed 2000° F. This causes much higher than normal temperatures in the chimney and on its exterior surfaces. Thus ignition of nearby or touching combustible material is more likely during a chimney fire. Proper clearances are critical during such a fire.

Chimney fires are easy to detect; they usually involve one or more of the following:

- Flames and sparks shooting out of the top of the chimney
- A roaring sound
- Vibration of the chimney

## In Case of a Chimney Fire

1. Prepare to evacuate to ensure everyone's safety. Have a well understood plan of action for evacuation. Have a place outside where everyone is to meet.
2. Close air inlet on stove.
3. Call local fire department. Have a fire extinguisher handy. Contact your local municipal or provincial fire authority for further information on how to handle a chimney fire. It is most important that you have a clearly understood plan on how to handle a chimney fire.
4. After the chimney fire is out, the chimney must be cleaned and checked for stress and cracks before starting another fire. Also check combustibles around the chimney and the roof.

- The services of a competent or certified installer, (certified by the Wood Energy Technical Training program (WETT) - in Canada, Hearth Education Foundation (HEARTH) - in U.S.A.,) are strongly recommended.

## Avoiding a Chimney Fire

There are two ways to avoid chimney fires:

1. Do not let creosote build up to a point where a chimney fire is possible.
2. Do not have fires in the heater that may ignite chimney fires. These are very hot fires, such as when burning household trash, cardboard, Christmas tree limbs, or even ordinary fuel wood; (e.g.. with a full load on a hot bed of coals and with the air inlet excessively open.)

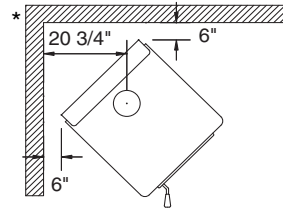
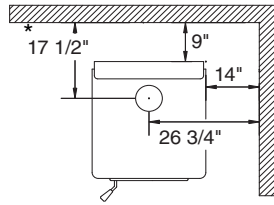
**NOTE: WHEN CLEANING THE CHIMNEY, ALWAYS COVER THE BAFFLE AIR TUBE THAT PROVIDES AIR TO THE BAFFLE AFTER YOU REMOVE THE BAFFLE.**

FIG. #1

# Minimum Clearance to Combustibles

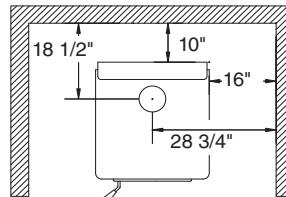
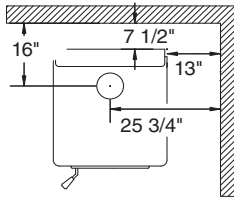
## Single Wall Connector - Residential

Dimensions shown are to the center of the pipe connector for purposes of locating the chimney opening in the structure and locating the stove.

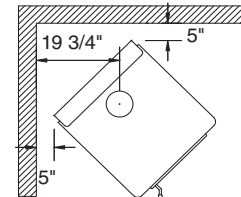


\* As tested, a pipe shield may be required by local authorities

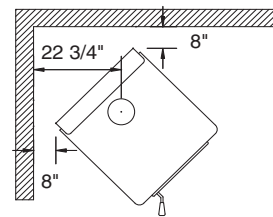
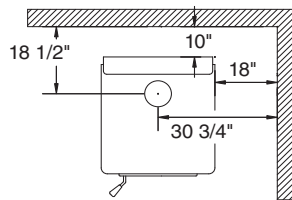
## Double Wall Connector - Residential



Alcove: Min. Height 7'  
Max. Depth 4'



## Double Wall Connector - Mobile Home



# Assembly

## Crate Removal

- 1) Carefully remove wood top and supports.
- 2) Remove plastic cover.
- 3) Place stove body carefully on its back.
- 4) Using a 3/4" wrench, remove 1" x 1/2" bolts and save for later use.
- 5) Remove pallet retaining brackets from stove bottom.

## Pedestal Kit

- 1) With the unit on its back and the removable cover facing up, align the pedestal mounting holes with the holes on the stove.
- 2) Secure in place with 1" x 1/2" bolts previously removed.
- 3) Carefully place the unit in the upright position.

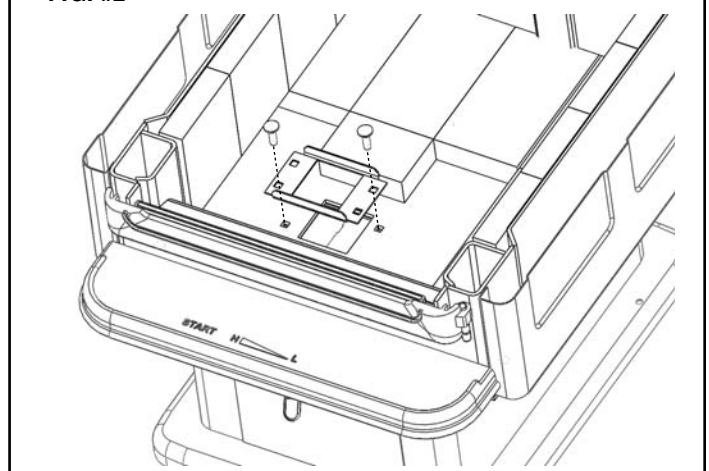
## Black or Plated Leg Kit

- 1) With the unit on its back, align the ash drawer enclosure mounting holes (removable cover facing up) with the holes on the stove.
- 2) Position the legs over top of the same holes on the stove.
- 3) Secure in place with 1" x 1/2" bolts previously removed.
- 4) Carefully place the unit in the upright position.

## Optional Ash Cleanout System

- 1) Remove nuts holding the ash system hole cover and gasket located under the stove. Discard cover plate and gasket.
- 2) Inside the stove, remove the two bolts from the ash dump and insert into the brick retainer. The flanges on the the brick retainer point toward the stove top. (Fig. #1)
- 3) Replace bolts with brick retainer through the firebox bottom.
- 4) Place new gasket provided over bolts.
- 5) Install ash dump system over gasket and secure with two nuts previously removed.

FIG. #2  
FIREBOX CUTAWAY  
INSIDE VIEW



# Mobile Home Installation

**Warning:** Under no circumstances is this heater to be installed in a makeshift or "temporary" manner. It may be fired only after the following conditions have been met.

- **DO NOT CONNECT THIS UNIT TO A CHIMNEY FLUE SERVING ANOTHER APPLIANCE.**
- **DO NOT INSTALL IN A SLEEPING ROOM.**
- Outside air supply must be used for Mobile Home installations see Figure #3, Page 7.
- The services of a competent or certified installer, (certified by the Wood Energy Technical Training program (WETT) - in Canada, Hearth Education Foundation (HEARTH) - in U.S.A.,) are strongly recommended.

## Clearances

This heater must be installed with listed double-wall connector and compatible chimney system listed on page 7.

Clearances to combustible surfaces and materials are shown in Figure #1 and Figure #3, page 5 and 7.

Clearances may be reduced with various heat insulating materials. Consult local, National fire codes and authorities for approval.

**NOTE:** Longer chimney lengths and different pitch flashings may be used. All other parts listed must be installed (see Figure #3, Page 7). Install all components to the connector or chimney manufacturer's installation requirements. Consult your chimney supplier for installation advice.

## Procedure:

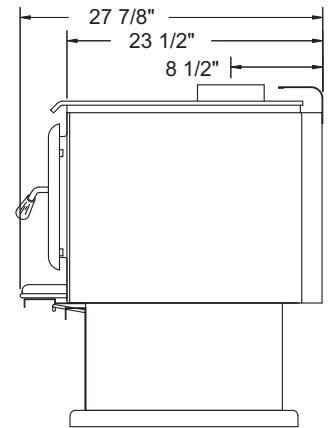
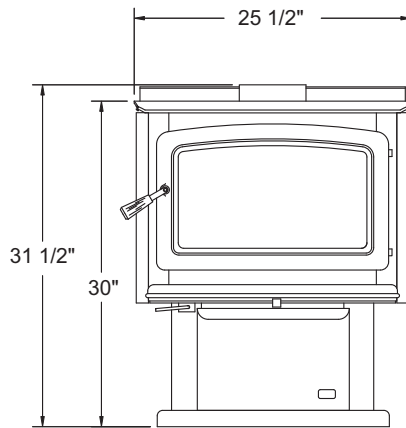
**CAUTION: THE STRUCTURAL INTEGRITY OF THE MOBILE HOME FLOOR, WALL AND CEILING/ROOF MUST BE MAINTAINED.**

**THE SPACE HEATER IS TO BE CONNECTED TO A FACTORY-BUILT CHIMNEY CONFORMING TO CAN/ULC-S629 STANDARD FOR 650C FACTORY-BUILT CHIMNEYS.**

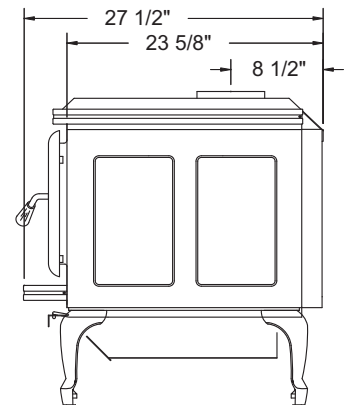
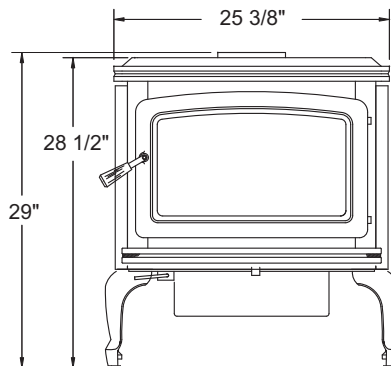
Note: See "Combustion Air" section on page 9.

1. Position stove and floor protection with hole for combustion air in accordance with the clearances as stated on the label and in Figure #1.
2. Mark the position for the hole in the ceiling and roof by using a string and plumb-bob.
3. Check that the intended location will not interfere with floor joists, ceiling joists or rafters before proceeding further.
4. Cut a hole in the ceiling and roof to suit the chimney system and frame in the sides. The chimney support is mounted to the framing.
5. Assemble chimney sections so the finished length is resting on the support and protruding through the roof. Avoid having joints between ceiling and roof. Install radiation shield. Assemble flashing and storm collar and be sure to maintain the vapour barrier at this point. (Seal securely.) Attach rain cap and check flashing for leaks.
6. Install connector as per manufacturer's instructions.
7. Attach stove to flooring using two 1/4" x 2" or longer lag screws.

## Pacific Summit - Pedestal Model

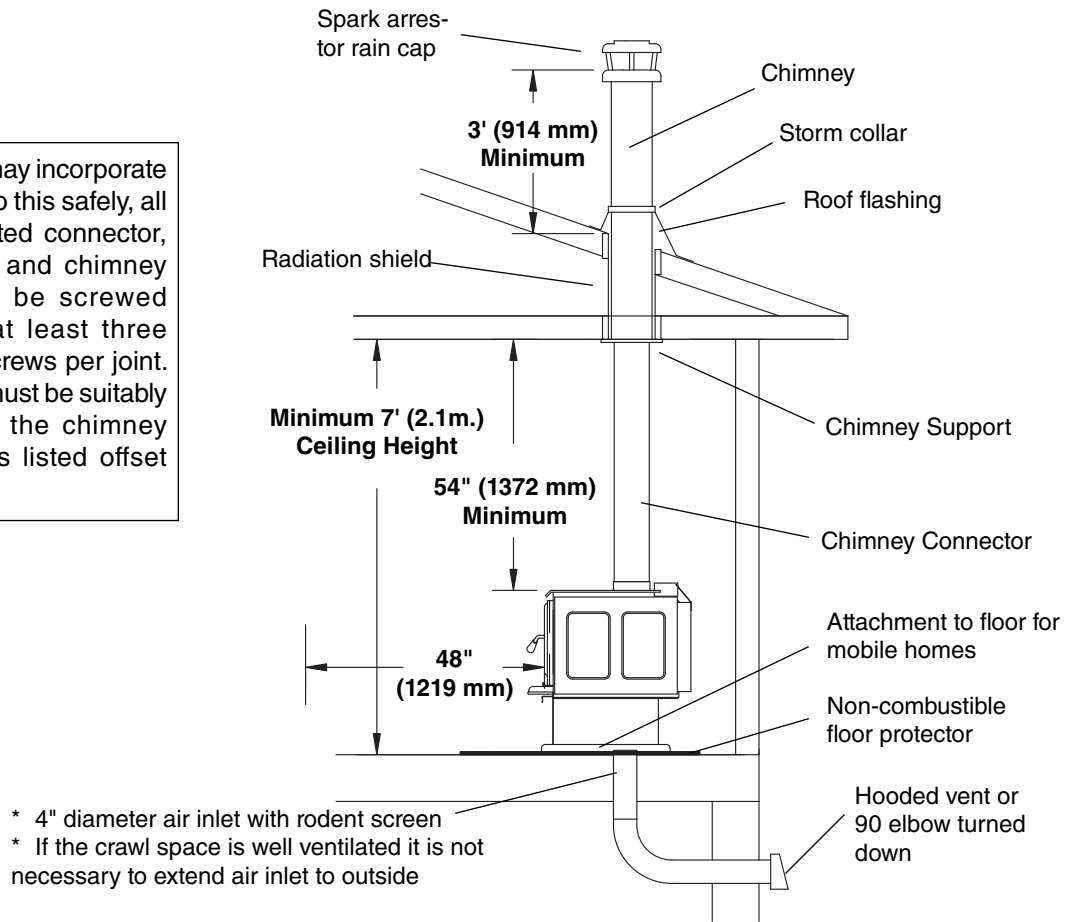


## Summit Classic



**FIG. #3**

The chimney may incorporate an offset. To do this safely, all sections of listed connector, offset elbows and chimney section must be screwed together by at least three sheet metal screws per joint. The chimney must be suitably supported by the chimney manufacturer's listed offset support.



## Listed Chimney and Chimney Connector

This appliance, when installed in a Mobile Home, must be installed with:

A. One of the following 6" double-wall connector systems:

- |                                 |   |
|---------------------------------|---|
| 1. Security Model DL or DC      | 5. Metal Fab Model DW                         |
| 2. Oliver MacLeod Model PV      | 6. Ameri-Tec Model DBSP                       |
| 3. Energy Vent                  | 7. Industrial Chimney Model Excel Ultra-Black |
| 4. Selkirk Metalbestos Model DS | 8. Simpson Dura-Vent Model DVL                |

B. As well as one of the following compatible chimney systems - All parts 6":

CANADA ONLY:	Security S2100	Pro-Jet H.T.3000	ICC Excel 2100	Selkirk Sentinal CF	Energy Vent Commander 5000
Ceiling support	XSF	FCS	SF	CF-CSP	CH6LCS
Rafter radiation shield		RRS			
3' Chimney length	XL3	SL3	L3	CF-36SL	CH636
2' Chimney length	XL2	SL2	L2	CF-24	CH624
Roof flashing	XFA	RF17	FA	CF-FRA	CH6TCF
Storm collar	XSC	SC	SC	CF-SC	CH6SC
Spark arrester rain cap	XCPE	RCSA	CPE	CF-SA,CT	CH6RC, SS

USA ONLY:	Security S2100	Pro-Jet H.T.3000	Security ASHT	Pro-Jet HT3103	Metalbestos SSII	MetalFab 2100	Ameritech TEC HS	ICC Excel 103HT	Simpson Dura-Vent Dura/Plus	Dura Tech
Ceiling support	XSF	FCS	SF	FCS	T-SFA	TGCSP	6PL-CS	RDS/SQS	SDP-SB	SDP-SB
Rafter radiation shield		RRS		RRS	T-JSMH	TGRS				
3' Chimney length	XL3	SL3	L3	SL3	T-36	TG3	HS 36	CL48	SDP-P	SDT-P
2' Chimney length	XL2	SL2	L2	SL2	T-24	TG2	HS 24	CL24	SDP-P	SDT-P
Roof flashing	XFA	RF17	FA	RF	T-SFA	TGF	8RFFU	VF	SDP-F	SDT-F
Storm collar	XSC	SC	SC	SC	T-SC	TGSC	PL-ASCG	SC	SDP-SC	SDT-SC
Spark arrester rain cap	XCPE	RCSA	CPE	RCSA	T-CT	TGC	6PL-MPC	RCS	SDP-C	SDT-C



# Residential Installation

**Warning:** Under no circumstances is this heater to be installed in a makeshift or "temporary" manner. It may be fired only after the following conditions have been met.

- \* DO NOT ATTEMPT TO CONNECT THIS HEATER TO ANY AIR DISTRIBUTION DUCT.
- \* Outside combustion air or fresh air into the room may be required in your area, consult local building codes (see Combustion Air section).

- The services of a competent or certified installer, (certified by the Wood Energy Technical Training program (WETT) - in Canada, Hearth Education Foundation (HEARTH) - in U.S.A.,) are strongly recommended.

## Clearances

1. This heater may be installed using a single-wall connector (smoke pipe) or listed double-wall connector.
2. Clearances to combustible surfaces and materials using single-wall connector are shown in Figure #1, page 5. Clearances may be reduced with various heat insulating materials. Consult local, National fire codes and authorities for approval.
3. Alternately, for close clearances, use a listed double-wall connector. See Figure #1, page 5.

## Chimney and Connector

Connect to a listed chimney (in the U.S.A. a chimney complying with the requirements for Type HT chimneys in the standard for Chimneys, Factory-Built, Residential Type and Building Heating Appliance, UL 103) and a chimney suitable for use with solid fuel that is lined and in good condition and meets local building codes. The chimney flue size should be the same as the stove outlet for optimal performance. Reducing or increasing the flue size may adversely affect stove performance. Chimney flue exit is to be 3 feet (1 m.) above roof and two feet (0.6 m.) above highest projection within 10 feet (3 m.). The installation must meet all local codes. Do not connect this unit to a chimney flue serving another appliance. Minimum system height is 15 feet (4.6 m.) (measured from base of appliance).

## Double-Wall Connector

- Use a listed double-wall connector.
- Install all components to the chimney connector manufacturer's installation requirements.

## Single-Wall Connector

Smoke pipe must be:

- \* as short and straight as possible, use six inch diameter, 24 gauge black pipe that is clean and in new condition.
- \* secured at every joint and collar with 3 sheet metal screws.
- \* installed with the crimped or male ends pointing down. This will carry any liquid creosote or condensation back into the stove.
- \* The chimney connector shall not pass through an attic, roof space, closet or similar concealed space, floor, or ceiling. Where passage through a wall or partition of combustible material is desired, the installation shall conform to CAN/CSA-B365, Installation Code for Solid-Fuel-Burning Appliances and Equipment.

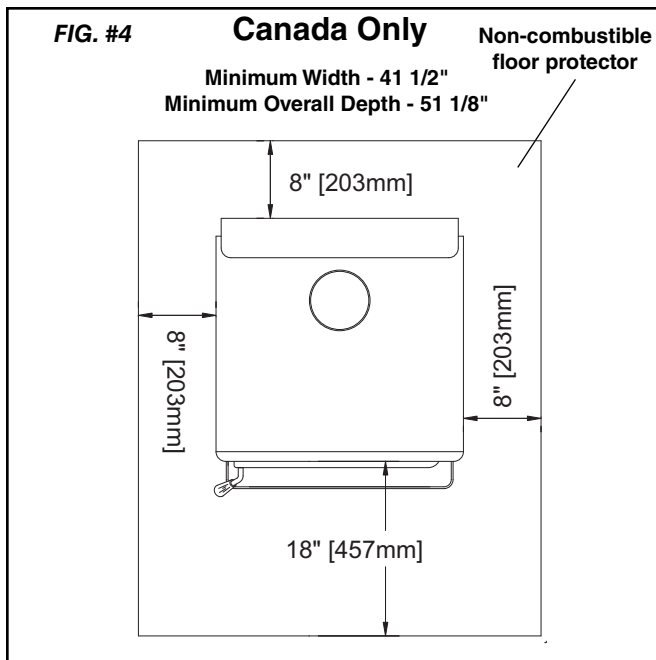
## Procedure

1. If a listed chimney and double-wall connector is to be connected to the stove, install all components to the chimney manufacturer's installation requirements. (Outside combustion air may be required, consult local building codes. See Combustion Air section.)
2. If it is desirable to use smoke pipe in conjunction with the insulated chimney, see step 4.
3. If a roof or ceiling support is used in the installation, you will find the chimney manufacturer's complete instructions packed with the roof support.
4. To start installing smoke pipe (chimney connector), slip crimped edge of the pipe inside the stove collar. Use holes provided in collar to secure pipe with three screws.
5. Install the remaining lengths of pipe one on top of the other to the finished height of the chimney connector and secure to each other with three screws per joint.

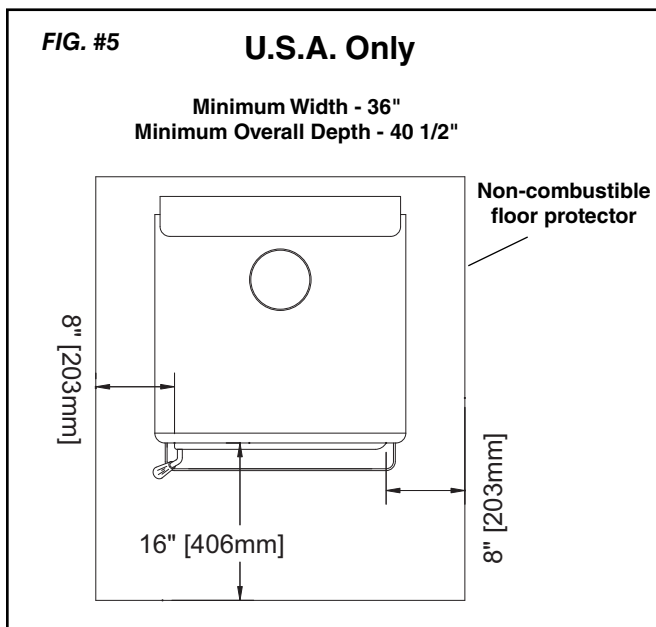
# Floor Protector

The stove may be installed on a combustible floor provided noncombustible ember protection is used. This protection must extend as follows:

In Canada: 18" (457 mm) on the firing side and 8" (203 mm) to the other sides. See Figure #4, below.



In USA: 16" (406 mm) to the front and 8" (203 mm) to the sides of the fuel loading door opening. See Figure #5, below. This protection is also required under the chimney connector and 2" (51 mm) beyond each side.



# Combustion Air

Intake or combustion air can be supplied to the stove in one of two ways. Consult your local building code or CAN/CSA-B365, Installation Code for Solid-Fuel-Burning Appliances and Equipment before proceeding.

1. **Outside air supply** - (Necessary for mobile home installation, optional for residential installation.) Outside air may be drawn from either underneath the stove or from behind.

To draw outside air through the floor, leave the 4" knockout or cover plate in place in the rear of the pedestal or leg kit ash box enclosure.

**Pedestal Model:** Cut or drill a 4" diameter hole in the floor anywhere inside the perimeter of the pedestal. Cover the hole with a 4" x 4" (100 mm x 100 mm) rodent screen and staple/nail in place.

**Leg Model:** Cut or drill a 4" diameter hole directly below the bottom hole of the ash box enclosure. Connect enclosure to the floor with a short 4" diameter pipe. If you wish to connect the outside air to the rear hole on the ash box, then remove the 4" knockout or cover plate at the rear of the ash box.

This hole must get its air from a **ventilated** crawl space or be extended with duct to the outdoors (see Figure #3, Page 7). The use of outside combustion air for residential installation requires the unit to be secured to the structure to prevent dislodging of the air duct.

To draw outside air from behind the stove, an outside air adaptor may be required (see Optional Blower section). Cut or drill a 4" hole through a wall behind the unit. Use an appropriate household 4" inlet. You must remove the rear cover plate from the pedestal or move the cover plate at the rear of the leg kit ash box enclosure to cover the bottom hole.

- Note:** This unit is not designed to be operated with the firing door open. In addition to the obvious hazard of sparks landing on combustibles, an open fire door will cause the heater to draw air from the living space and possibly cause suffocation.

2. **Room air supply** - Remove the cover plate from the rear of the pedestal or leg kit ash box enclosure. The stove will now draw its air from the room through this opening and into the firebox intake.

**Note:** The living space around the heater must be well ventilated with good air circulation. Anything that may cause a negative pressure can cause gases or fumes to be pulled into the living area. During extremely cold weather, and especially when burning at very slow rates, the upper parts of the exposed chimney may ice up, partially blocking the flue gases. If blockage occurs, flue gases may enter living space.

# Operation

**CAUTION:** Never use gasoline, gasoline type lantern fuel, kerosene, charcoal lighter fluid or similar liquids to start or "freshen up" a fire in this heater. Keep all such liquids well away from the heater while it is in use.

**CAUTION:** Hot while in operation. Keep children, clothing and furniture away. Contact may cause skin burns.

Your PACIFIC ENERGY heater is designed for maximum overall efficiency at a moderate firing rate. Overfiring is hazardous and a waste of fuel. Too slow a burn contributes to creosote buildup and lowers combustion efficiency.

## Wood Selection

This heater is designed to burn natural wood only. Higher efficiency and lower emissions generally result when burning air-dried seasoned hardwoods, as compared to softwoods or to green or freshly cut hardwoods.

Wood should be properly air dried (seasoned) for six months or more. Wet or undried wood will cause the fire to smoulder and produce large amounts of creosote. Wet wood also produces very little heat and tends to go out often.

### DO NOT BURN :

- |                    |                |
|--------------------|----------------|
| -Salt water wood * | -Treated wood  |
| -Wet or green wood | -Coal charcoal |
| -Garbage/Plastic * | -Solvents      |

\* These materials contain chlorides which will rapidly destroy metal surfaces and void warranty.

Do not burn anything but wood. Other fuels, eg. charcoal, can produce large amounts of carbon monoxide, a tasteless, odourless gas that can kill. Under no circumstances should you attempt to barbecue in this heater.

## How to Test Your Wood

Add a large piece of wood to the stove when it has a good large bed of coals. It is dry if it is burning on more than one side within one minute. It is damp if it turns black and lights within three minutes. If it sizzles, hisses and blackens without igniting in five minutes it is soaked and should not be burnt.

## Lighting for the First Time

### Curing of the Paint Finish

To achieve the best finish, the paint on your stove must be baked on. When burning your stove for the first 2-3 times it is very important that the room be well ventilated. Open all windows and doors. Smoke and fumes caused by the curing process may cause discomfort to some individuals.

## Lighting a Fire

**WARNING:** Never use chemicals or any other volatile liquid to start a fire.

1. Adjust air control to "H" (Start) position and open door.
2. Place crumpled newspaper in the centre of the heater and criss-cross with several pieces of dry kindling. Add a few small pieces of dry wood on top.
3. Ignite the paper and close the door.
4. After the fire has established itself, open the door and add a few small logs. Close door.
5. Begin normal operation after a good coal base exists and wood has charred.

## Normal Operation

1. Set air control to a desired setting. If smoke pours down across the glass (waterfall effect) this indicates you have shut the control down too soon or you are using too low a setting. The wide range control panel makes finding the desired setting for your application easy. As every home's heating needs vary (ie. insulation, windows, climate, etc.) the proper setting can only be found by trial and error and should be noted for future burns.
2. To refuel, adjust air control to "H" (Start) position, and give the fire time to brighten. Open the door slowly, this will prevent backpuffing.
3. Use wood of different shape, diameter and length (up to 20"). Load your wood endwise and try to place the logs so that the air can flow between them. Always use dry wood.
4. Do not load fuel to a height or in such a manner that would be hazardous when opening the door.
5. For extended or overnight burns, unsplit logs are preferred. Remember to char the wood completely on maximum setting before adjusting air control for overnight burn.

**WARNING:** Always keep loading door closed when burning. This heater is not designed for open door burning.

**WARNING:** No alteration or modification of the combustion air control assembly is permitted. Any tampering will void warranty and could be very hazardous.

**WARNING:** Do not use grates or andirons to elevate the fuel. Burn directly on the fire bricks. Replace broken or missing bricks. Failure to do so may create a hazardous condition.

## Restarting After Extended or Overnight Burns

1. Open door and rake hot embers towards the front of the heater. Add a couple of dry, split logs on top of embers, close door.
2. Adjust air control to "H" (Start) position and in just a few minutes, logs should begin burning.
3. After wood has charred, reset air control to desired setting.
4. To achieve maximum firing rate, set control to high. Do not use this setting other than for starting or preheating fresh fuel loads.

**DO NOT OVERFIRE THIS HEATER:** Attempts to achieve heat output rates that exceed heater design specifications can result in permanent damage to the heater and chimney.

## More Wood, More Heat

Seasoned wood has approximately 7500 BTU's per pound. If you put 10 pounds of wood in your stove for an eight hour burn the wood will be producing 9375 BTU's per hour. (7500 BTU x 10 lbs./8hrs.=9375 BTU's per hr.) If you put 20 lbs of wood in your stove for eight hour burn you will get 18,750 BTU's per hr. (7500 BTU x 20lbs./8hr.=18,750 BTU's per hr.). This is only an example and is based on 100% efficiency. In reality, your stove should perform above the 80% range.

Experience will give you the right settings for proper combustion and efficient burning. Remember the correct air inlet setting is affected by variables such as type of wood, outside temperature, chimney size and weather conditions. With practice, you will become proficient in operating your heater and will obtain the performance for which it was designed.

## Proper Draft

1. Draft is the force which moves air from the appliance up through the chimney. The amount of draft in your chimney depends on the length of the chimney, local geography, nearby obstructions and other factors.
2. Too much draft may cause excessive temperatures in the appliance. An uncontrollable burn or a glowing red stove part or chimney indicates excessive draft.
3. Inadequate draft may cause backpuffing into the room and plugging of the chimney. Smoke leaking into the room through appliance and chimney connector joints indicates inadequate draft.

## Ash Removal

Caution: Ashes are to be removed only when the heater is cold. Whenever ashes get 3 to 4 inches deep in your firebox, and when fire has burned down and cooled, remove excess ashes. Leave an ash bed approximately 1" (25 mm) deep on the firebox bottom to help maintain a hot charcoal bed.

**Optional Ash Cleanout system:** The ash dump handle is located under the ash lip on the left hand side. To operate ash dump, pull handle out 1/2" and turn clockwise. This will unlock the ash dump and allow it to open. Hold handle open while pulling ashes into the opening. Avoid large embers as these still contain heat value. Release handle and push in to lock. Ensure ash dump door is properly engaged. Fill the cavity with the remaining ash level with the firebox floor. Lift and pull out ashpan and discard ashes into metal container. Replace ashpan and ensure it is seated properly.

**Do not burn with ash dump door open. Doing so will create a hazardous condition. Always leave about 1" of ash when cleaning.**

## Disposal of Ashes

Ashes should be placed in a metal container with a tight fitting lid. The closed container of ashes should be placed outside on a non-combustible floor or on the ground, well away from all combustible materials, pending final disposal. If the ashes are disposed of by burial in soil or otherwise locally dispersed, they should be retained in closed container until all cinders have thoroughly cooled. Other waste should not be placed in this container.

# Baffle Removal

Chimney connector pipe should be disconnected from stove to clean and inspect. Only if this is not possible should you remove baffle assembly.

**DO NOT OPERATE WITH BAFFLE ASSEMBLY OR INSULATION REMOVED.**

## Removal

Remove retaining pin at the rear inside top of the firebox, just under the baffle. Lift baffle up and pull forward to disconnect from the supply tube. Tilt baffle sideways to drop down and remove from firebox. Inspect gasket between baffle and supply tube. If necessary, replace with gasket #SUMB.31396 available from your Pacific Energy dealer. Re-install baffle assembly in reverse order. Ensure that the two side pieces of insulation are set inside the siderails and tight against the baffle. If the insulation is damaged during removal, it should be replaced.

**NOTE: AFTER YOU REMOVE THE BAFFLE, ALWAYS COVER THE BAFFLE AIR TUBE THAT PROVIDES AIR TO THE BAFFLE. THIS PREVENTS DEBRIS FALLING DOWN THE TUBE.**

## Secondary Air Box Removal and Cleaning:

1. The secondary air box is located on the bottom rear of the woodstove and can be cleaned by removing the two screws securing the cover plate on the rear face of the secondary air box and using a vacuum to suck out any debris.
2. To remove the secondary air box, use a 3/8" wrench and undo the two #10 Keps nuts, one on each side of the secondary air box. Lower the secondary air box and slide out.
3. Reverse this process to re-install the secondary air box.

\* **MAKE SURE THE GASKET IS IN GOOD SHAPE AND POSITIONED CORRECTLY.**

# Optional Blower

The optional blower kit (kit #WODC.BLOW) is equipped with a three prong power cord and may be installed at any time. Follow installation instructions supplied with the kit. Route power supply cord away from heater.

Electrical rating: 115 volts A.C.-.84 amps.  
Fan output rating: 125 CFM

## Blower Operation

To ensure peak performance from your stove, allow the appliance to reach operating temperature (approximately 30 minutes), before turning on the blower.

**Automatic:** To operate the blower automatically, set the rocker switch on the side of the fan housing to "Auto" and set the speed control to desired setting. This will allow the fan to turn on as the stove heats up to operating temperature. It will also shut the blower off after the fire has gone out and the unit cooled to below a useful heat output range.

**Manual:** To manually operate the blower, set the rocker switch to "Man" and set the speed control to desired setting. This will bypass the sensing device and allow full control of the blower.

Switching from "Auto" to "Man" or selecting speed may be done anytime.

## Optional Outside Air Adaptor

The adaptor is only required if the blower kit is to be installed and outside combustion air to be ducted to rear of pedestal or leg adaptor.

Installation:

Remove blower kit if already installed. Place adaptor with the 4" round hole facing up and opposite end covering the room air knockout hole on the back of the pedestal. Mark attachment holes on pedestal base and drill with 1/8" bit. Attach with #8 x 1/2" screws and reinstall fan. Combustion air from outside can now be attached to the 4" round collar.

# Appendix A

## Troubleshooting

Problem	Cause	Cure
Glass is Dirty	1. Wood is wet	- Use dry wood
	2. Turning down air control or damper too soon	- Do not turn down until a) there is a good bed of coals b) the wood is charred
	3. Draft too low	- Improper chimney height and / or diameter - Chimney plugged or restricted, inspect and clean - Provide outside air for combustion
	4. Door gasket leakage	- Replace gasket - Check latch
Excessive Creosote Buildup - See 1,2,3, above.		
Low Heat Output	1. Wood is wet	- Use dry wood
	2. Fire too small	- Build a larger fire
	3. Draft too low	- Chimney plugged or restricted, inspect and clean
Won't Burn Overnight	1. Air control is set too high	- Set control lower
	2. Not enough wood	- Unsplit wood is preferred for overnight burns
	3. Draft too high	- Excessive chimney height and/or diameter
Stove Won't Burn	1. Combustion air supply blocked	- Check outside air supply for obstruction - Check that room air cover is removed
	2. Draft too low	- Chimney plugged or restricted, inspect and clean - Chimney oversized or otherwise unsuitable, consult Dealer

# Understanding & Operating Your Pacific Energy Stove

The Pacific Energy line of woodstoves is a culmination of years of research and development. Designed to be efficient, clean-burning and user-friendly, this heater will give you years of warm service. However, a knowledgeable operator is still the most important factor for maximum performance and part of this is understanding the basic functions of this design.

Traditional wood stoves had a basic combustion system which allowed a considerable amount of heat energy to escape up the chimney as unburned gases and particulates (smoke). Pacific Energy has designed a system that solves the problem by burning the smoke and releasing the additional heat to the room.

This system has two critical design features:

### 1. Above fire secondary air injection:

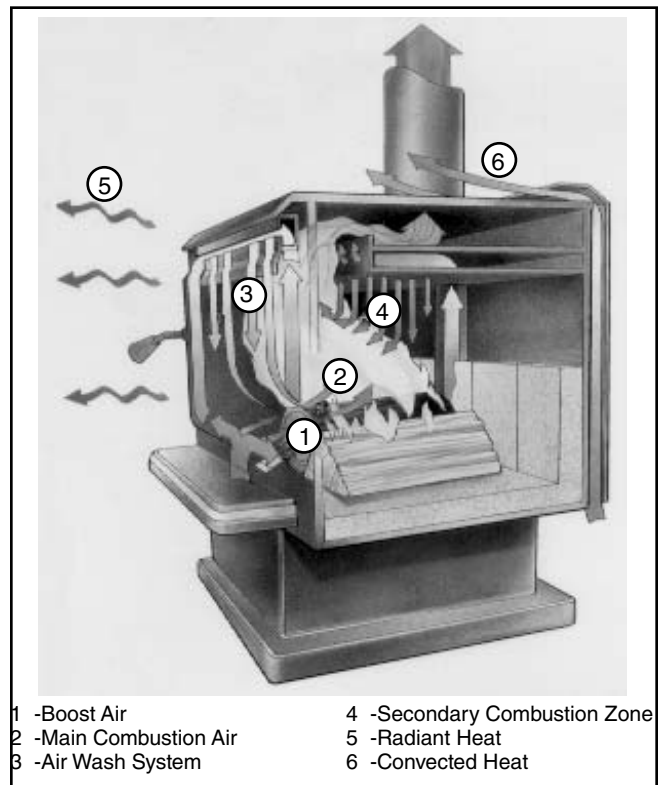
The hollow "air baffle" injects super-heated secondary air just above the load. With the stove at the proper operating temperature, this will create a secondary flame that will be evident for approximately 1/3 of the total burn time.

### 2. High mass and thermal insulation:

The high mass (weight) acts as a heat storage and the thermal insulation keeps the combustion zone hot. Active flaming takes place during the first part of the burn. During this stage, heat is stored in the mass of the unit and is later released slowly and evenly. As wood chars, active flaming will diminish. This clean charcoal burning stage will last for a considerable length of time and refuelling should be avoided until the charcoal base has become quite small.

## OPERATING TIPS

1. Always use dry, seasoned firewood, up to 18" long. Load wood endwise, a mixture of large and small pieces, on top of a good ash base (1" minimum).
2. Operate on a medium to high setting, for up to 1 hour from cold start. After the initial warm up period, refuel and leave the air control on a medium setting for 5 to 10 minutes more and then set the air control to the desired position.
3. If a slow burn is desired, set the air control to low. Active secondary burning should be present above the wood load. If it is not present or goes out shortly after, proper operating temperature has not been reached and the stove needs additional warm up time.

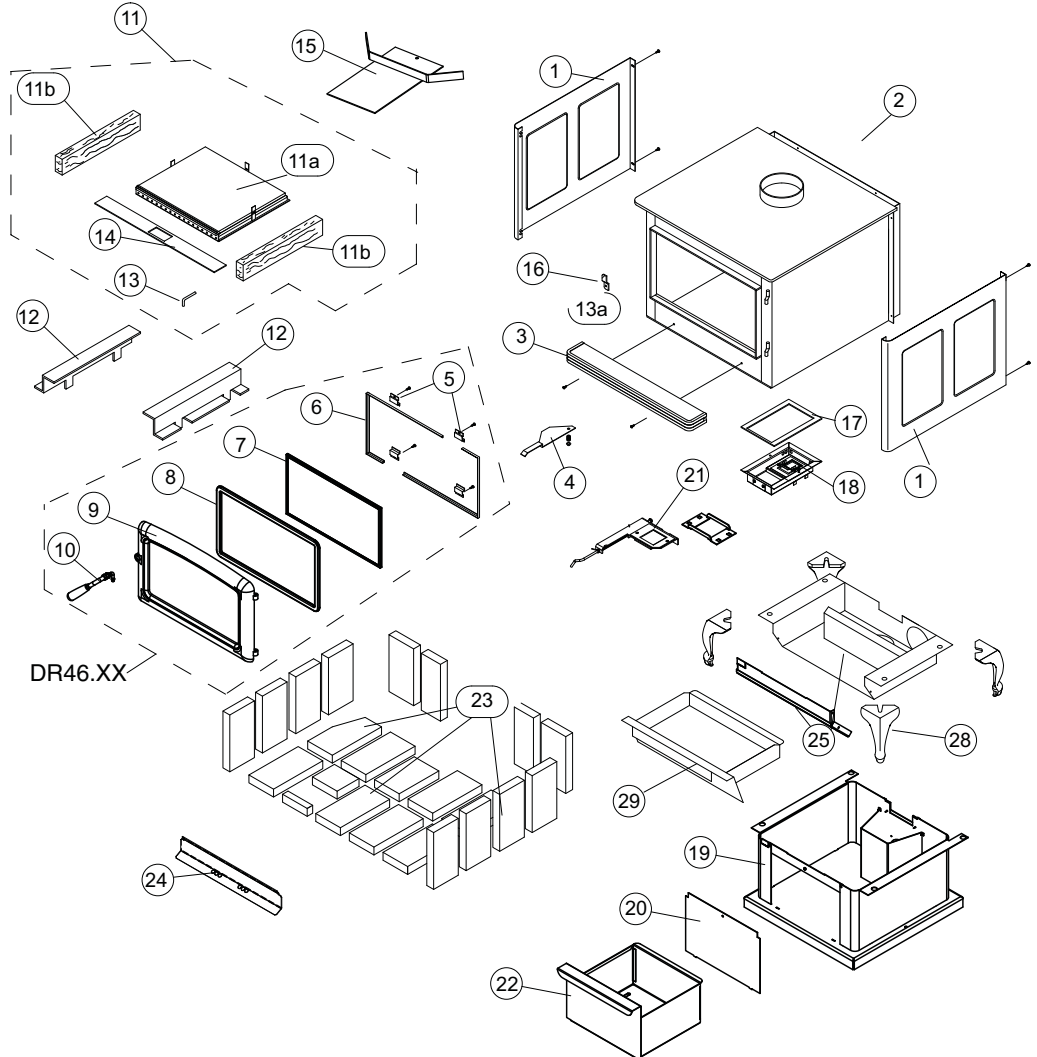


# Replacement Parts

ITEM	DESCRIPTION	PART NO.	ITEM	DESCRIPTION	PART NO.
1.....	Side Shield, Left or Right.....	SUMM.3201	22.....	Ash Box (Pedestal Model).....	SUMM.3209
2.....	Rear Deflector .....	SUMM.3203	23.....	Firebrick Set .....	BRIC.SUMMA
3.....	Cast Ash Lip .....	ALIP.503743MB	24.....	Boost Manifold .....	3105.111
4.....	Air Shutter Assembly .....	SUMM.531	25.....	Leg Adapter (Leg Model).....	SUMB.LGADA
5.....	Glass Clamps (4 pc.).....	SSER.1425	28.....	Leg,(1).....	CAST.LEGXX
6.....	Glass Bar Set (2 pc.).....	SUMM.312501	29.....	Ash Box, Leg Model.....	SUMM.32155
7.....	Replacement Glass (c/w Tape) .....	DR46.GLKIT			
8.....	Door Gasket Kit.....	DR31.WDGKIT			
9.....	Door Casting, Arched .....	CAST.46XX			
10.....	Door Handle Assembly.....	WODC.4147C			
	Replacement Baffle Kit.....	SUMB.BAFKIT			
11a.....	Baffle (not sold separately).....	SUMB.BAFF			
11b.....	Side Insulation .....	5068.732.C			
12.....	Brick Rails (2pc. Required).....	SUMM.RAILSET			
13.....	Baffle Pin.....	SSER.125001			
14.....	Baffle Gasket.....	SUMB.31396			
15.....	Flame Shield (c/w Bolt and Nut).....	SUMB.31155			
16.....	Door Catch .....	WODC.1461A			
17.....	Secondary Air Box Gasket .....	5068.3237			
18.....	Secondary Air Box(c/w Gasket) .....	SUMB.3140			
19.....	Pedestal Assembly .....	SUMB.3147			
20.....	Pedestal Front Cover.....	SUMM.32075			
21.....	Ash Dump Assembly .....	WODC.2261			

Option Code XX: ST - Standard, Black, GD - Gold, NI - Nickel, BN - Brushed Nickel

All parts may be ordered from your nearest Pacific Energy dealer. Contact Pacific Energy for the location of the dealer nearest you.



# Replacement Parts - Summit Classic

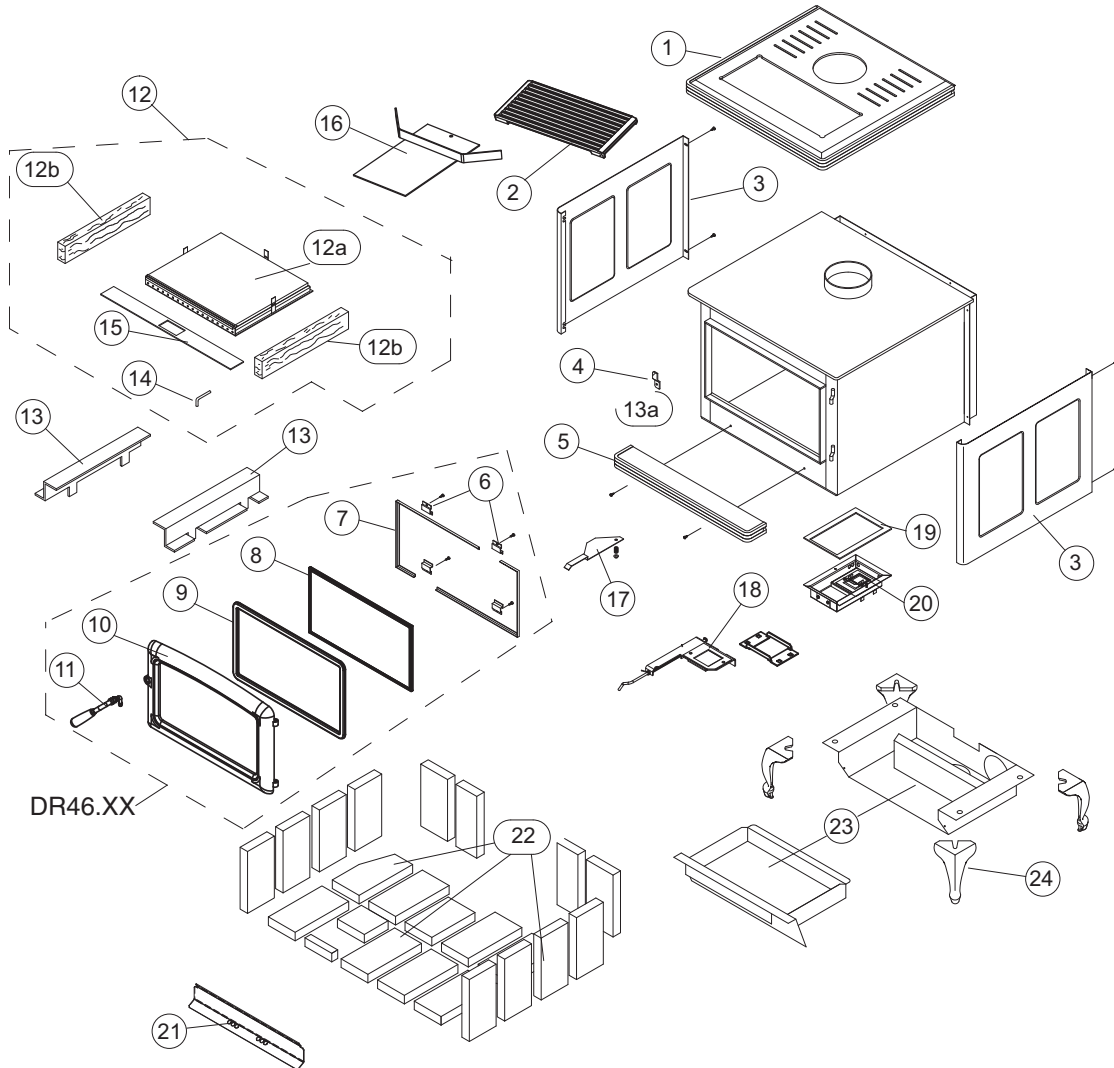
ITEM	DESCRIPTION	PART NO.	ITEM	DESCRIPTION	PART NO.
1.....	Top Panel .....	SUCA.3251XXA	23.....	Leg Adapter (Leg Model).....	SUMB.LGADA
2.....	Screen Trivet .....	CLAD.CTXXA	24.....	Leg, Black.....	CAST.LEGXX
3.....	Side Shield.....	SUCA.3253XXA			
4.....	Door Catch.....	WODC.1461A			
5.....	Ash Lip.....	SUCA.3252XXA			
6.....	Glass Clamps (4 pc.).....	SSER.1425			
7.....	Glass Bar Set (2 pc.).....	SUMM.312501			
8.....	Replacement Glass (c/w Tape) .....	DR46.GLKIT			
9.....	Door Gasket Kit.....	DR31.WDGKIT			
10.....	Door Casting, Arched .....	CAST.46XX			
11.....	Door Handle Assembly.....	WODC.4147C			
12.....	Replacement Baffle Kit.....	SUMB.BAFKIT			
12a.....	Baffle (not sold separately).....	SUMB.BAFF			
12b.....	Side Insulation .....	5068.752.C			
13.....	Brick Rails (2pc. Required).....	SUMM.RAILSET			
14.....	Baffle Pin.....	SSER.125001			
15.....	Baffle Gasket.....	SUMB.31396			
16.....	Flame Shield (c/w Bolt and Nut).....	SUMB.31155			
17.....	Air Shutter Assembly.....	SUMM.531			
18.....	Ash Dump Assembly.....	WODC.2261			
19.....	Secondary Air Box Gasket.....	5068.3237			
20.....	Secondary Air Box(c/w Gasket) .....	SUMB.3140			
21.....	Boost Manifold .....	3105.111			
22.....	Firebrick Set .....	BRIC.SUMMA			

Option Code XX: ST - Standard, Black, GD - Gold, NI - Nickel, BN - Brushed Nickel

All parts may be ordered from your nearest Pacific Energy dealer. Contact Pacific Energy for the location of the dealer nearest you.

When ordering porcelain finish parts, please specify the appropriate code as follows:

- .....Black BK
- .....Ivory IY
- .....Blue BE
- .....Red RD
- .....Green GN
- .....Black Pearl BP
- .....Coffee Bean CB
- .....Copper CU
- .....Titanium TI







# Super 27 and Pacific Summit Pedestal or Legs Installation Instructions

---

Required:	Pedestal Kit	Leg Adapter
	1 Pedestal base	1 Ash drawer enclosure
	1 Front cover (attached)	1 Front cover (attached)
		4 1/2" washers
		<b>with Leg Set</b>
		4 Legs

---

**NOTE: Optional ash dump kit should be installed prior to pedestal or leg kit assembly.**

---

## Crate Removal

- 1) Carefully remove wood top and supports.
- 2) Remove plastic cover.
- 3) Using a 7/16" wrench, remove lag bolts that secure stove body to bottom pallet.
- 4) Place stove body carefully on its back.
- 5) Using a 3/4" wrench, remove 1" x 1/2" bolts and save for later use.
- 6) Remove pallet retaining brackets from stove bottom.

## Pedestal Kit

- 1) With the unit on its back and the removable cover facing up, align the pedestal mounting holes with the holes on the stove.
- 2) Secure in place with 1" x 1/2" bolts previously removed.
- 3) Carefully place the unit in the upright position.

## Leg Adapter and Leg Kit

- 1) With the unit on its back, align the ash drawer enclosure mounting holes (removable cover facing up) with the holes on the stove.
- 2) Position the legs over top of the same holes on the stove.
- 3) Secure in place with 1" x 1/2" bolts previously removed.
- 4) Carefully place the unit in the upright position.



## Firebrick Installation Instructions

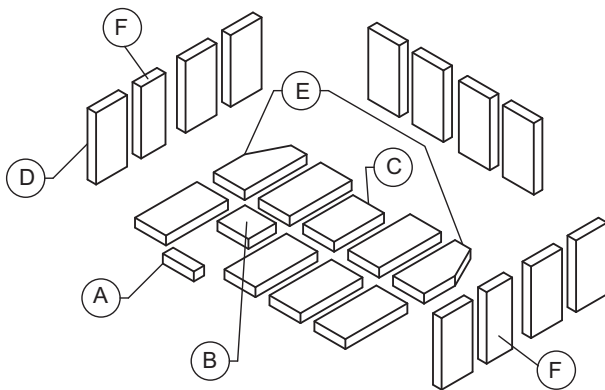
# Pacific Summit and Summit Classic Wood Stove

---

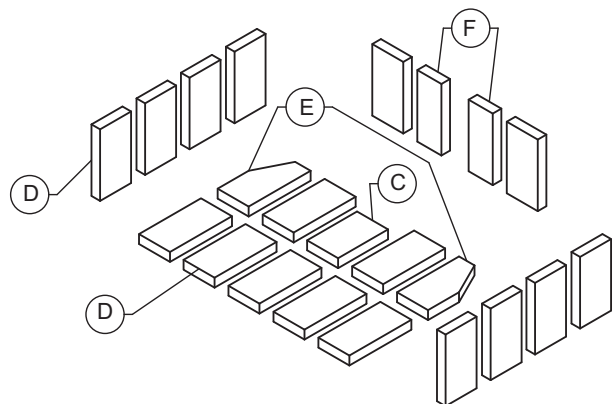
This package contains 17 full-size firebricks, as well as 7 various cut-size bricks. If your heater came with an ash cleanout system, or an optional one is being installed, one brick (D) will not be needed for your installation.

With the woodstove in the upright position, install firebricks as follows:

- 1) Place the firebricks on the bottom of the unit first. Use a total of 6 full-size (D) and 5 cut bricks (A, B, C & 2E) with ash cleanout system or 7 full-size (D) and 3 cut bricks (C & 2E) if the ash cleanout system is not used.
- 2) Next install the side firebricks, 2 full-size and 2 cut firebricks(F) on each side of the firebox as shown.
- 3) Finally install 4 full-size bricks against the rear wall as shown.

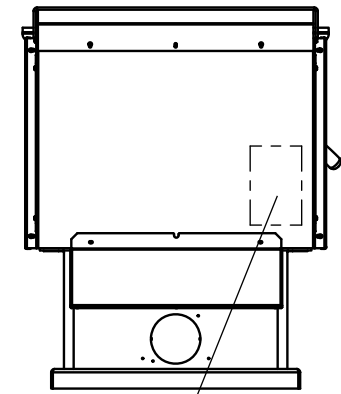


**With Ash Cleanout System Installed**



**Without Ash Cleanout System Installed**

ITEM	SIZE		PART NUMBER
A	1 1/2" X 4 1/2" X 1 1/4"	(39 mm x 115 mm x 32 mm)	248.001
B	4" X 4 1/2" X 1 1/4"	(102 mm x 115 mm x 32 mm)	246.001
C	7 1/4" X 4 1/2" X 1 1/4"	(184 mm x 115 mm x 32 mm)	245.001
D	9" X 4 1/2" X 1 1/4"	(230 mm x 115 mm x 32 mm)	5096.99
E	9" X 4 1/2" (cut) X 1 1/4"	(230 mm x 115 mm (cut) x 32 mm)	3245.011
F	9" X 3 1/2" X 1 1/4"	(102 mm x 115 mm x 32 mm)	3245.501



LABEL LOCATION



**CERTIFIED FOR CANADA AND U.S.A. - SERIES / SÉRIE: B**  
**MODEL / MODÈLE: E: SUMMIT**  
**ALDERLEA T6**  
**LISTED ROOM HEATER, SOLID FUEL TYPE.**  
**TESTED TO / ÉPROUVÉ SELON: CANULC S627-00 AND UL 1482-2011**

**MINIMUM CLEARANCES TO COMBUSTIBLE MATERIALS / MATÉRIEL COMBUSTIBLES**

- INSTALL AND USE IN ACCORDANCE WITH THE MANUFACTURER'S INSTALLATION AND OPERATING INSTRUCTIONS.
- CONTACT LOCAL BUILDING OR FIRE OFFICIALS ABOUT RESTRICTIONS, INSTALLATION PERMIT AND DO NOT CONNECT THIS UNIT TO A CHIMNEY FLUE SERVING ANOTHER APPLIANCE (USA ONLY).
- USE 5/8 INCH / 15.88MM DIAMETER MINIMUM 24 INSG BLACK OR LISTED CONNECTOR.
- CAN BE CONNECTED TO A LISTED MASONRY CHIMNEY SUITABLE FOR USE WITH SOLID FUELS. DO NOT OBSTRUCT THE SPACE BENEATH THE HEATER.
- SEE LOCAL BUILDING CODE AND MANUFACTURER'S INSTRUCTIONS FOR PRECAUTIONS REQUIRED WHEN PASSING A CHIMNEY THROUGH A COMBUSTIBLE WALL OR CEILING.
- DO NOT PASS A CHIMNEY THROUGH A COMBUSTIBLE WALL OR CEILING.
- MINIMUM CLEARANCE BETWEEN SINGLE WALL CHIMNEY CONNECTOR AND COMBUSTIBLE MATERIALS - 18 INCHES / 457MM. CLEARANCE MAY BE REDUCED BY THE USE OF LISTED PIPE SHIELDS, WALL PROTECTORS OR OTHER MEANS APPROVED BY LOCAL BUILDING OR FIRE OFFICIALS.
- COMPONENTS REQUIRED FOR MOBILE HOME AND ALCOVE INSTALLATION: OUTSIDE AIR KIT, BOTH CHIMNEY SYSTEM AND CONNECTOR MUST BE LISTED TO:
- IN CANADA - ULC S-641 LISTED CONNECTOR AND ULC-S-629 LISTED CHIMNEY
- IN USA - UL-609 HT LISTED CONNECTOR AND CHIMNEY
- USE COMPONENTS LISTED IN FACTORY ENERGY INSTALLATION INSTRUCTIONS.
- OPTIONAL COMPONENTS: FAN KIT (FAN ELECTRICAL RATING: 115V 60HZ, 1.0 AMP. DO NOT ROUTE POWER CORD BENEATH HEATER.)
- CAUTION: RISK OF EXCESSIVE TEMPERATURES - KEEP ASH DUMP CLOSED DURING FIRING OF THE HEATER.
- OPERATE ONLY WITH FEED DOOR CLOSED. OPEN TO FEED FUEL ONLY.
- KEEP FURNISHINGS AND OTHER COMBUSTIBLE MATERIALS WELL AWAY FROM HEATER.
- REPLACE GLASS ONLY WITH CERAMIC GLASS.
- HORIZONTAL CONNECTOR NOT PERMITTED IN MOBILE HOMES
- AS TESTED - PIPE SHIELD MAY BE REQUIRED BY LOCAL AUTHORITIES.
- COMBUSTIBLE ALCOVE SIZE: DEPTH - 3 FT. / .91 M MAX., HEIGHT 7 FT. / 2.1 M MIN., WIDTH 4 FT. / 1.2 M MIN.
- COMBUSTIBLE FLOOR MUST BE PROTECTED BY A CONTINUOUS NON-COMBUSTIBLE MATERIAL EXTENDED TO THE FRONT, SIDES AND BACK AS INDICATED.
- HOT WHILE IN OPERATION. DO NOT TOUCH. KEEP CHILDREN, CLOTHING AND FURNITURE AWAY. CONTACT MAY CAUSE SKIN BURNS. SEE NAMEPLATE AND INSTRUCTIONS // CHAUD LORSQU'EN OPERATION. NE PAS TOUCHER. TENEZ LES ENFANTS ET LES VÊTEMENTS BIEN À L'ÉCART. LE CONTACT PEUT CAUSER DES BRÛLURES À LA PEAU. CONSULTEZ LA PLAQUE CE CONSTRUCTEUR ET LES INSTRUCTIONS.
- U.S. ENVIRONMENTAL PROTECTION AGENCY CERTIFIED TO COMPLY WITH JULY, 1990 PARTICULATE EMISSION STANDARDS/ CERTIFIÉ PAR L'AGENCE DE PROTECTION DE L'ENVIRONNEMENT DES ÉTATS-UNIS (EPA) EN ACCORD AVEC LES STANDARDS D'ÉMISSION DE PARTICULES DE JUILLET 1990

MINIMUM CLEARANCES TO COMBUSTIBLE MATERIALS / MATÉRIEL COMBUSTIBLES	RESIDUAL INSTALLATION / INSTALLATION RÉSIDUELLE UTILISANT UN RACCORDEUR DE MUR SIMPLE	RESIDUAL INSTALLATION / INSTALLATION RÉSIDUELLE AVEC DÉGAZEMENT MINIMAL UTILISANT UN RACCORDEUR DE MUR DOUBLE
A. SIDEWALL TO UNIT	22.3 in. / 568 mm	22.3 in. / 568 mm
B. BACKWALL TO UNIT	9 in. / 229 mm	9 in. / 229 mm
C. CORNER TO UNIT / CONJ. APPAREL TO CONNECTOR	6 in. / 152 mm	6 in. / 152 mm
D. MUR DE CÔTÉ / RACCORDEUR DE MUR DOUBLE	13 in. / 330 mm	13 in. / 330 mm
E. BACKWALL TO CONNECTOR / MUR DE CÔTÉ / RACCORDEUR DE MUR DOUBLE	7.5 in. / 191 mm	7.5 in. / 191 mm
F. CORNER TO CONNECTOR / CONJ. APPAREL	5 in. / 127 mm	5 in. / 127 mm
G. SIDEWALL TO UNIT	22.3 in. / 568 mm	22.3 in. / 568 mm
H. BACKWALL TO UNIT	9 in. / 229 mm	9 in. / 229 mm
I. CORNER TO UNIT / CONJ. APPAREL	6 in. / 152 mm	6 in. / 152 mm
J. MUR DE CÔTÉ / RACCORDEUR DE MUR DOUBLE	13 in. / 330 mm	13 in. / 330 mm
K. BACKWALL TO CONNECTOR / MUR DE CÔTÉ / RACCORDEUR DE MUR DOUBLE	7.5 in. / 191 mm	7.5 in. / 191 mm
L. CORNER TO CONNECTOR / CONJ. APPAREL	5 in. / 127 mm	5 in. / 127 mm

**WH - DO NOT REMOVE THIS LABEL**

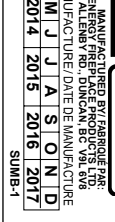
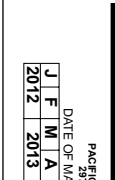
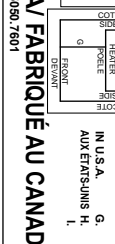
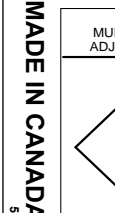
INSTALLER ET UTILISER SELON LES INSTRUCTIONS D'INSTALLATION ET D'OPERATION FOURNIES AVEC L'APPAREIL. RESTRICTIONS, PERMIS D'INSTALLATION ET INSPECTIONS POUR DES INFORMATIONS QUANT AUX NE REMPLIEZ PAS CET APPAREIL A UN CONDUIT DE CHEMINÉE DÉSSERVANT DEJA UN AUTRE APPAREIL. (ÉTATS-UNIS SEULEMENT.)

UTILISER UN RACCORDEMENT NOIR OU CLASSE DE 24 INSG ET AVEC UN DIAMÈTRE D'AU MOINS 6 POUCE / 150 MM. S'ÉTENDRE DE PAR LE DEVANT, LES CÔTÉS ET L'ARRIÈRE TEL QU'INDIQUÉ.

NE PAS OBSTRUER L'ESPACE BENEATH THE HEATER / CONSULTER LE CODE LOCAL DE CONSTRUCTION ET LES INSTRUCTIONS DU FABRICANT QUANT AUX PRÉCAUTIONS À PRENDRE LORSQUE VOUS FAITES PASSER UNE CHEMINÉE À TRAVERS D'UN MUR OU D'UN PLAFOND COMPOSÉ DE MATÉRIEL COMBUSTIBLES.

NE PAS PASSER UN RACCORDEMENT DE CHEMINÉE À TRAVERS D'UN MUR OU D'UN PLAFOND COMPOSÉ DE MATÉRIEL COMBUSTIBLES.

DÉGAZEMENT MINIMAL ENTRE UN RACCORDEMENT DE CHEMINÉE À UN MUR SIMPLE ET TOUT MATÉRIEL COMBUSTIBLE - 18 POUCE / 457MM. CE DÉGAZEMENT PEUT ÊTRE RÉDUIT EN UTILISANT DES PROTECTEURS DE TUYAUX CLASÉS PROTECTEURS DE MUR OU AUTRES MOYENS APPROUVÉS PAR LES OFFICIELS DE LA CONSTRUCTION OU DU SERVICE D'INCENDIE DE VOTRE RÉGION.
- CONNECTEUR HORIZONTAL NON PERMIS DANS MAISONS MOBILES
- L'APPAREIL DOIT COMPORTER UN ENSEMBLE POUR STABLE ET OU SUR PATTES.
- PIÈCES REQUISES POUR INSTALLATION EN MASON MOBILE OU EN ALCOVE: NÉCESSAIRE D'APPROVISIONNEMENT D'AIR EXTÉRIEUR ET L'UN DES RACCORDS SUIVANTS: EN COMBINAISON AVEC L'UN DES SYSTÈMES DE CHEMINÉE COMPATIBLES SUIVANTS:
- AU CANADA - LE ULC S-641 CONNECTEUR ENVIÉS ET ULC-S-629 OUT ENVIÈRE CHEMINÉE PIÈCES EN OPTION - NÉCESSAIRES DE SOUFLERIE, INDICES ÉLECTRIQUES DE SOUFLERIE: 115V, 60HZ, 1.0 AMP. LE FIL ÉLECTRIQUE NE DOIT PAS ÊTRE PLACÉ SOUS LE POÈLE.
- LE FIL ÉLECTRIQUE NE DOIT PAS ÊTRE PLACÉ SOUS LE POÈLE.
- ATTENTION: RISQUE DE TEMPÉRATURES EXCESSIVES - GARDEZ LE TROIR DE CENDRES FERMÉ PENDANT L'ALLUMAGE DU POÈLE.
- OPÉREZ SEULEMENT LORSQUE LA PORTE D'ALIMENTATION EST FERMÉE.
- OUVREZ SEULEMENT POUR ALIMENTER LE FEU.
- GARDEZ LES MÉTIERS ET AUTRES MATÉRIEL COMBUSTIBLES BIEN ÉLOIGNÉS DU POÈLE.
- REMPLEZ LA VITRE AVEC UN LIQUIDE NON PERMIS DANS MAISONS MOBILES
- CONNECTEUR HORIZONTAL NON PERMIS DANS MAISONS MOBILES
- TEL QU'ÉPROUVÉ UN PROTECTEUR DE TUYAU PEUT ÊTRE REQUIS PAR LES AUTORITÉS LOCALES
- DIMENSION D'ALCOVE COMBUSTIBLE: PROFONDEUR - 3 PIEDS / .91M, HAUTEUR 7 PIEDS, 2.1M, LARGEUR 4 PIEDS / 1.2M MINIMUM.
- LE PLANCHER COMBUSTIBLE DOIT ÊTRE PROTÉGÉ PAR UN MATÉRIEL NON-COMBUSTIBLE TOUT D'UNE PIÈCE QUI DOIT S'ÉTENDRE DE PAR LE DEVANT, LES CÔTÉS ET L'ARRIÈRE TEL QU'INDIQUÉ.



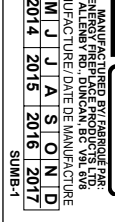
**MADE IN CANADA / FABRIQUÉ AU CANADA**

IN U.S.A.	IN CANADA
18 INCHES / 457 MM	18 INCHES / 457 MM
9 INCHES / 229 MM	9 INCHES / 229 MM
6 INCHES / 152 MM	6 INCHES / 152 MM
13 INCHES / 330 MM	13 INCHES / 330 MM
7.5 INCHES / 191 MM	7.5 INCHES / 191 MM
5 INCHES / 127 MM	5 INCHES / 127 MM

**CAUTION**

MANUFACTURED BY FABRIQUÉ PAR: PACIFIC ENERGY INC. / ÉNERGIE PACIFIQUE INC.

DATE OF MANUFACTURE / DATE DE FABRICATION: 2012 2013 2014 2015 2016 2017



091112

5090 / 7801



---

**PACIFIC ENERGY FIREPLACE PRODUCTS LTD.**

**2975 Allenby Rd., Duncan, B.C. V9L 6V8**

**Phone: 250-748-1184**

**Web site: <http://www.pacificenergy.net>**

Printed in Canada