

GAS INSERT

# TOFINO *i30S*

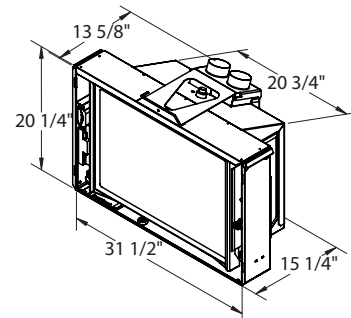


Shown with: Modern Black Front, Split Log Burner Media, Ledgestone Panels



BTU Input NG	30,000
BTU Input LP	30,000
P.4.1-15 Efficiency NG	74.1%
P.4.1-15 Efficiency LP	74.1%

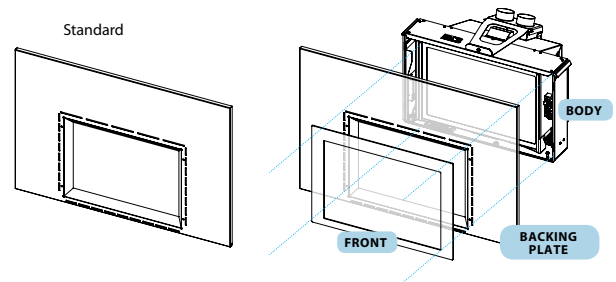
## Unit Dimensions



## Standard Features

- SIT Proflame 2 Valve System (120V)
- Split-Flow Burner to Maximize Flame Control
- Built in blower
- Interior Firebox Lighting
- Remote Control or Manual Control
- Burner Base (Burner Media package sold separately)
- Design-A-Fire Interior Options
- No-Tool Decorative Front Installation
- Multiple Decorative Front Options
- Integrated Stainless Steel Micro-Mesh Safety Screen
- Integrated Leveling System
- Easy Venturi and Flue Damper Adjustment
- Easy Access to Module, Valve, and Gas Shut Off
- Centered Side-by-Side Venting, 3x4 Collinear
- NG or LP Dedicated Units

## Backing Plates



Regular: 38" (w) x 26" (h)  
 Oversize: 42" (w) x 28" (h)

For reference only. Installations should be based on manuals and rating labels. Specifications subject to change.

### BURNER MEDIA



Split Log



Black Glass



Twilight Glass

### FIREBOX PANELS



Ledgestone



Red Brick



Grey Fluted



Black Porcelain

### DECORATIVE FRONTS



Artisan Black



Artisan Brushed Nickel



Modern Black



Modern Brushed Nickel

