

TOFINO SERIES GAS INSERTS

i20 | i30 | i40



ELEGANT • VERSATILE • EFFICIENT



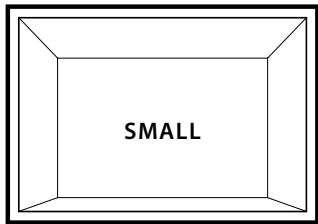
FIREBOX SIZES



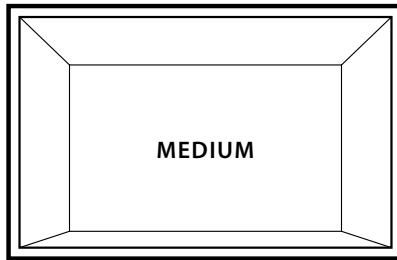
VALVE SYSTEMS

THREE DISTINCT FIREBOX SIZES. TWO UNIQUE VALVE SYSTEMS.

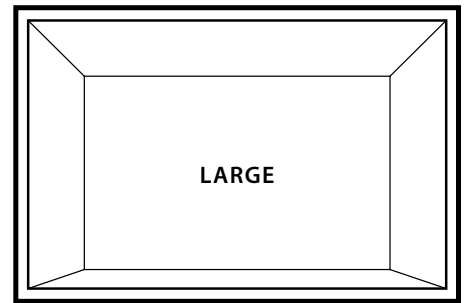
Transform your existing fireplace with the Tofino Series Gas Inserts for ultimate style, comfort and performance.



Small–Medium Size Rooms



Medium–Large Size Rooms



Large Size Rooms

MAXITROL

TOFINO *i20M*

20,000 BTU high
10,000 BTU low
P.4.1 71.3% (20,000 btu/hr)

MAXITROL

TOFINO *i30M*

30,000 BTU high
15,000 BTU low
P.4.1 71.1% (30,000 btu/hr)

MAXITROL

TOFINO *i40M*

40,000 BTU high
20,000 BTU low
P.4.1 73.7% (40,000 btu/hr) NG
P.4.1 73.8% (35,000 btu/hr) LP

SIT PROFLAME

TOFINO *i20S*

20,000 BTU high
6,000 BTU low
P.4.1 73.1% (20,000 btu/hr)

SIT PROFLAME

TOFINO *i30S*

30,000 BTU high
9,000 BTU low
P.4.1 73.3% (30,000 btu/hr)

SIT PROFLAME

TOFINO *i40S*

40,000 BTU high
12,000 BTU low
P.4.1 77.1% (40,000 btu/hr) NG
P.4.1 73.6% (35,000 btu/hr) LP

STANDARD FEATURES

All Tofino Inserts are available with a SIT Proflame 2, or Maxitrol Valve System

	SIT 2	MAXITROL
Remote Control	✓	✓
Manual Control	✓	✓
Standard Safety Screen	✓	✓
Programmable Remote Control	✓	✓
Split –Flow Burner	✓	✓
Flame Modulation	✓	✓
Interior Lighting	✓	✓
Child Safety Lock	✓	✓
Battery back up	✓	✓
Fan	✓	✓
Limited Lifetime Warranty	✓	✓

SIMPLE TOUCH OPERATION AND TEMPERATURE MANAGEMENT.

Each Tofino Insert comes standard with an advanced comfort remote control to modulate flame height, optimizing temperature management and room ambiance.



SIT Remote



Maxitrol Remote



FRONT DESIGNS AND COLOR CHOICES



BURNER MEDIA OPTIONS



FIREBOX PANEL OPTIONS

PACIFIC ENERGY DESIGN-A-FIRE. UNLIMITED POSSIBILITIES.



When designing any heat source, safety is always at the forefront and with today's advanced technologies and materials, there's no need to compromise aesthetics for safety. That is why Tofino Inserts come standard with an integrated micromesh screen that creates a virtually invisible safety barrier, allowing a clear, unobstructed view of the flame.

FRONTS Two distinguished front options for all firebox sizes: Modern or Artisan available in metallic black or brushed nickel



Modern



Artisan



BURNERS Choose from a selection of two burner styles: split log or glass, available in black or twilight.

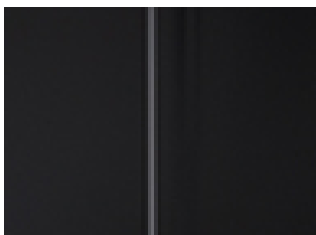


Split Log Burner

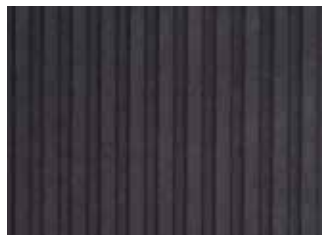


Glass Burner

FIREBOX PANELS Choose from four firebox panels: lustrous black porcelain, or high definition ceramic fiber panels in fluted grey, ledgestone or red brick.



Black Porcelain



Grey Fluted



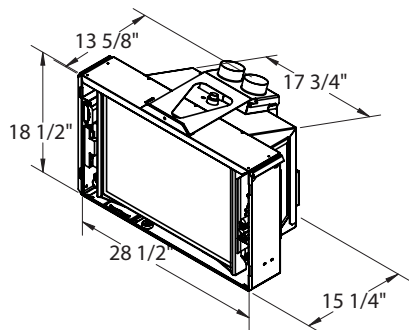
Ledgestone



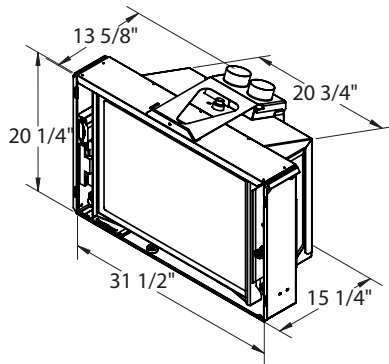
Red Brick

DIMENSIONS

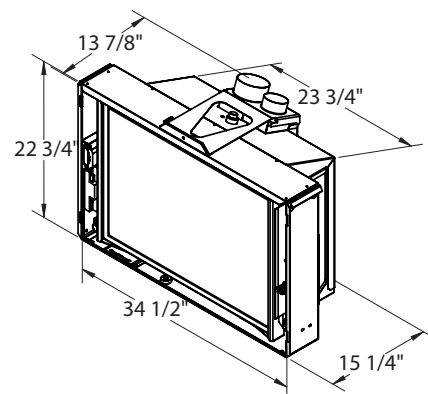
TOFINO *i20M/i20S*



TOFINO *i30M/i30S*



TOFINO *i40M/i40S*



BACKING PLATES

No matter how big or small your existing fireplace opening, or if you choose to install your insert with a raised hearth, the Tofino backing plates come in easy to install sizes.

Tofino i20

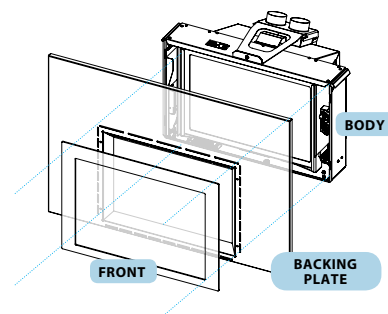
Regular 26" x 38"
Oversize 28" x 42"
4-sided 35 1/4" x 27 1/8"

Tofino i30

Regular 26" x 38"
Oversize 28" x 42"

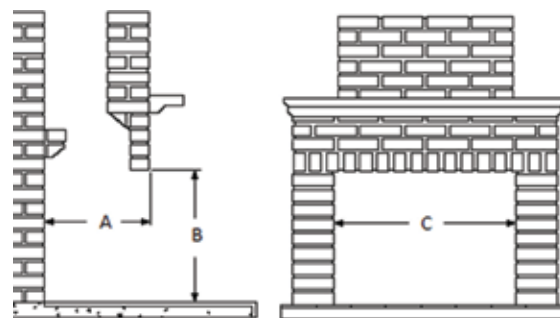
Tofino i40

Regular 28" x 42"
Oversize 31" x 44"



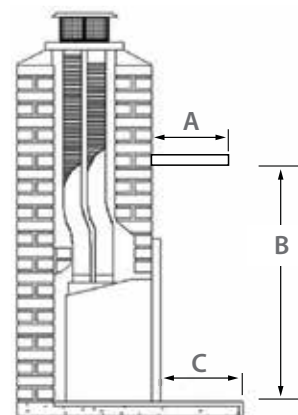
MINIMUM FIREPLACE OPENING

Unit	A	B	C (with handles)
Tofino i20M	16 1/4"	19 7/8"	29" (30 1/2")
Tofino i20S	17 7/8"	19 7/8"	29" (30 1/2")
Tofino i30M	16 1/4"	22 1/8"	32" (33 1/2")
Tofino i30S	17 7/8"	22 1/8"	32" (33 1/2")
Tofino i40M	16 1/4"	24 5/8"	35" (36 1/2")
Tofino i40S	17 7/8"	24 5/8"	35" (36 1/2")



CLEARANCES

Unit	A	B	C	Objects in front of unit	Horizontal clearance to combustibles
Tofino i20	14"	30"	0"	36"	18" (from centre of unit)
Tofino i30	14"	35"	0"	36"	20" (from centre of unit)
Tofino i40	14"	35"	0"	36"	20" (from centre of unit)



pacificenergy.net

