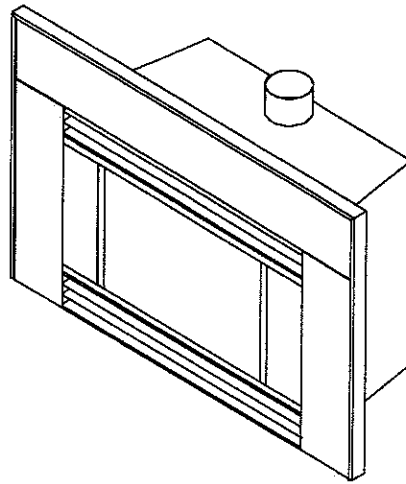


26651A-26790A
Decorative

The Mirage

SERIES A

FIREPLACE INSERT INSTALLATION SUPPLEMENT



These instructions are only supplementary. Refer to the Installation and Operating instructions of the Mirage Freestanding appliance for proper gas supply, safety requirements and lighting instructions.



IMPORTANT: THESE INSTRUCTIONS ARE TO REMAIN WITH THE HOMEOWNER

Mirage Insert

The Mirage Insert is designed to be installed only in a solid fuel burning fireplace, built according to the requirements of the standards for chimneys, fireplaces, vents and solid fuel burning appliances, NFPA 211 (Latest Edition) or applicable National, Provincial, State or local codes.

Existing Fireplace

In order to sufficiently accommodate the insert, the minimum size of the fireplace should be 30 inches wide, 21 inches high and 16 inches deep (Fig. #1).

The chimney and fireplace should be swept and inspected. The existing fireplace damper should be locked open or removed completely if opening is too small for a 4" flue liner to pass through.

Caution: Consult local and/or national building codes before altering fireplace. Before installing the Mirage Insert, plumb a gas line to the fireplace. The gas supply line may enter the fireplace on either side of the back.

Fig. #2

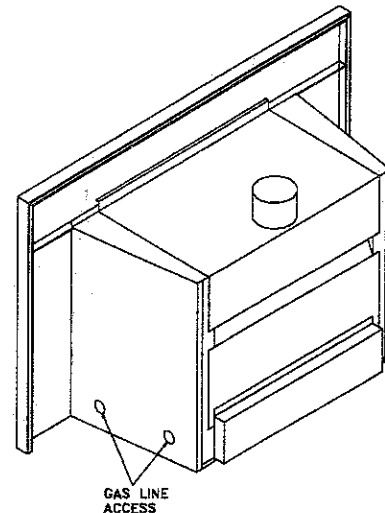
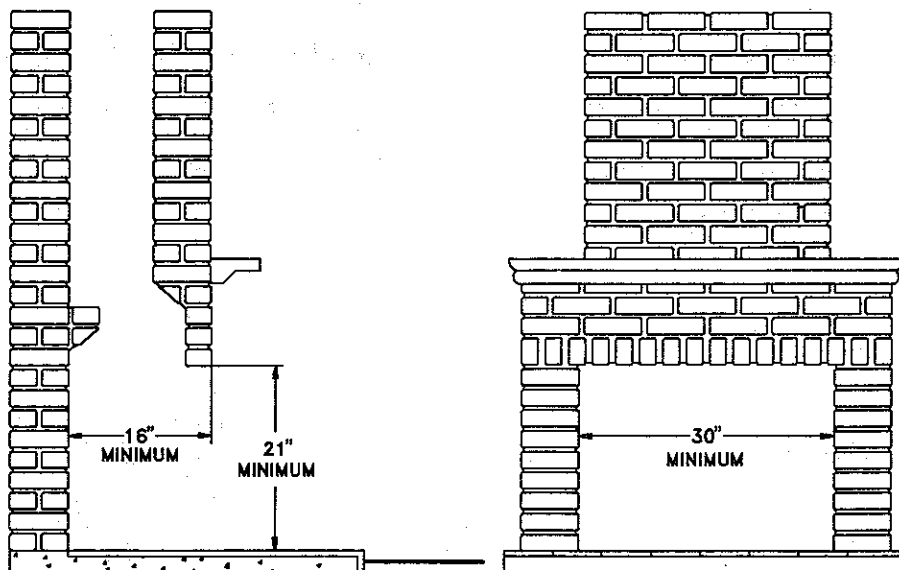


Fig. #1

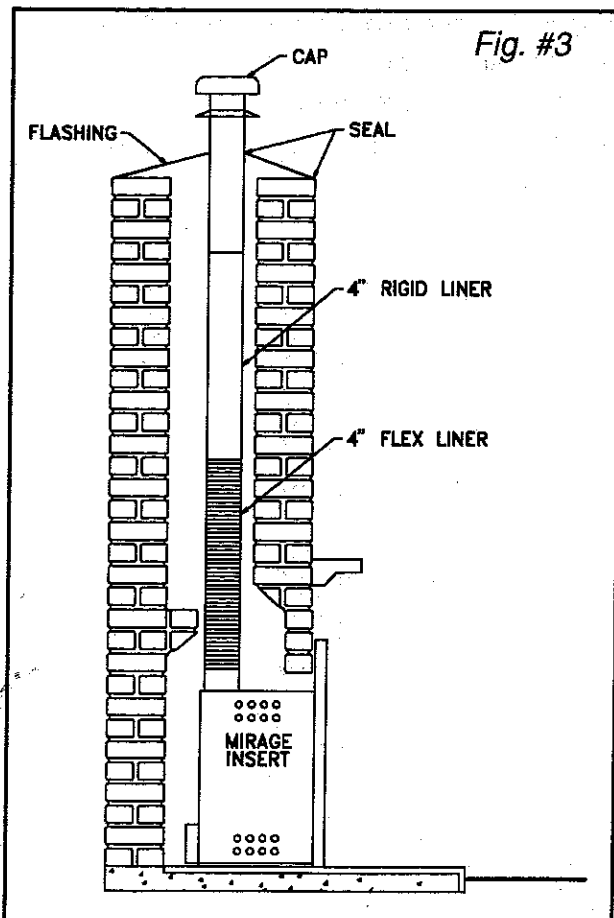


Venting

Caution: A gas appliance must not be connected to a chimney flue servicing a separate solid fuel burning appliance.

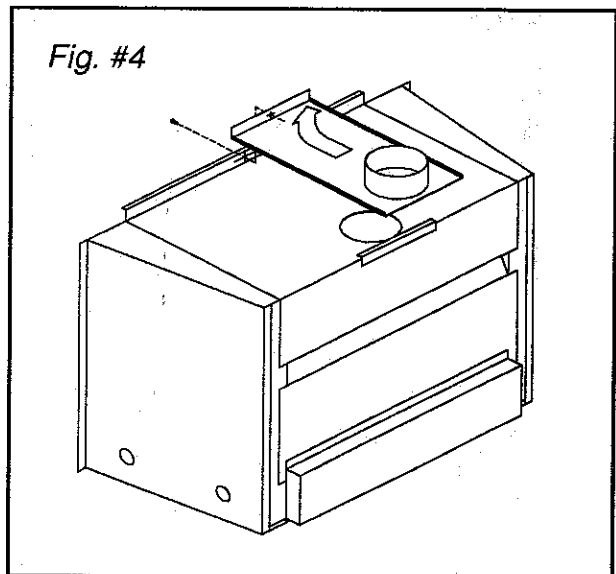
The chimney must be relined with a minimum 4" flue liner (Fig. #3). A combination of 4" flex and rigid flue liner may be used. (Consult local codes.) The liner should extend from the Mirage Insert to the top of the chimney. At the top of the chimney, the air space between the new liner and existing chimney must be sealed to prevent water from entering. Place a flashing that fits snugly around the 4" liner on top of the chimney. Caulk the flashing in place to seal any gaps.

Remove the vent connector plate by undoing retaining screw in front, then lift and pull forward to disconnect from rear

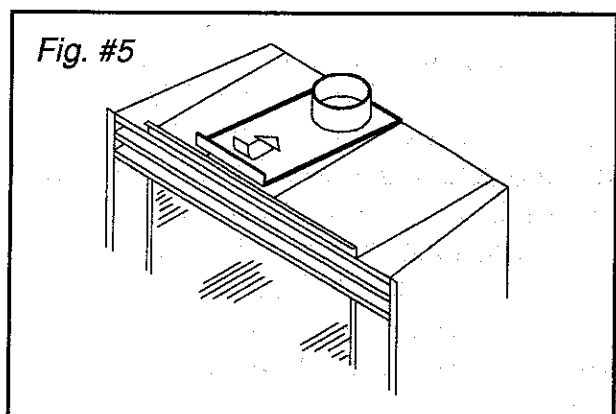


clip (Fig. #4). Attach flex end of flue liner to the collar on top of the connector plate.

Position vent connector plate over top of unit as the insert is pushed into the fireplace. Clip connector plate at back and replace screw in front (Fig. #5). Leave the insert extending a couple of inches out of the fireplace to allow for proper surround placement.



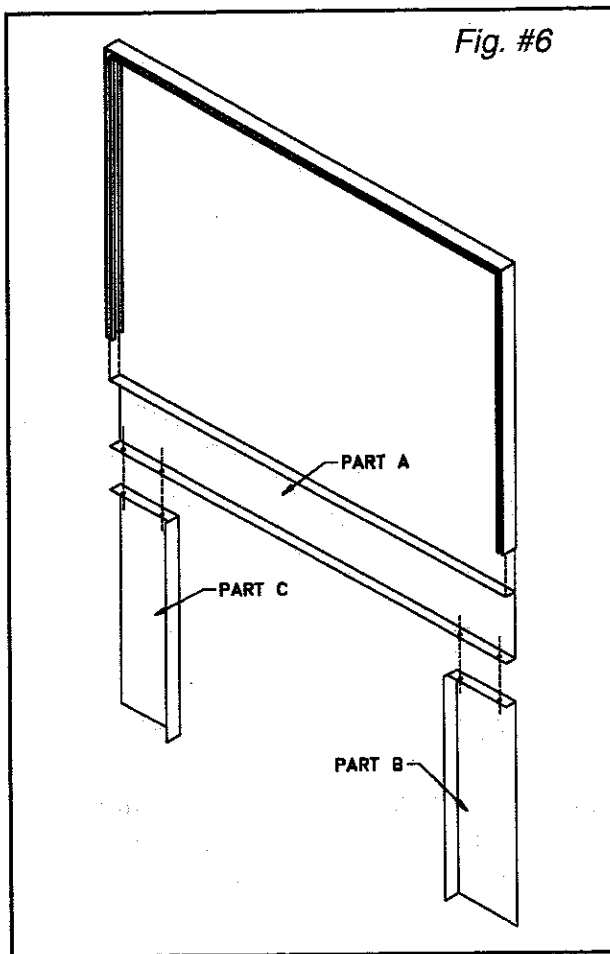
Caution: Use only a flue liner system approved by the local gas authority and install in accordance with the manufacturer's instructions. Consult local and/or national building codes before altering fireplace.



Surround Assembly and Installation:

1. Lay Parts A, B, and C face down on a flat, non-marking surface and bolt together at points "D" (Fig. #6), using the supplied 1/4 x 3/4 bolts and nuts. **Caution: Connector bolts finger tight only.**

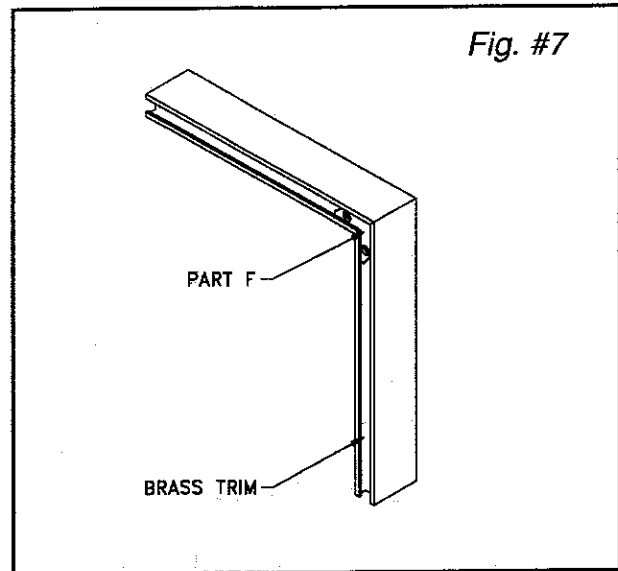
2. Lift the surround assembly to the upright position and make sure the front face is flat and even at the joint.



3. Assemble the three brass trim pieces using the enclosed hardware. Slide Part F into the back corners of the brass trim and tighten screws. Ensure the mitred corners fit tightly and evenly (Fig. #7).

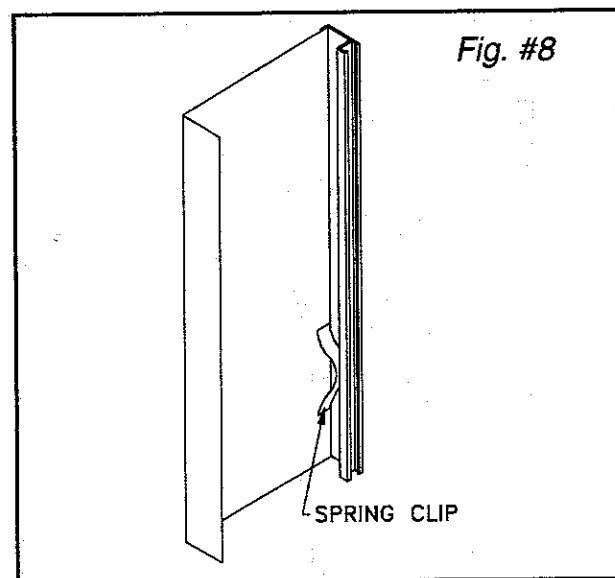
4. Slide the assembled brass trim over the surround from the top (Fig. #7).

5. Install a clip near the bottom of each side brass piece to hold tightly in place (Fig. #8).



6. Slide pre-assembled surround on to insert. **Do not lift the assembly by grasping the brass trim**. The surround is held in place by friction fit retaining clips on each side of the Insert, just inside the casing. Push surround back until snug and even with front face of Insert.

7. Push the entire appliance back until the surround is in contact with the fireplace.



Clearances:

The minimum clearances from the appliance to combustible surfaces are shown on Fig. #9. Adequate clearances around air openings and combustion air supplies are required.

Minimum Clearances to Combustibles:
(Install only in a solid fuel burning fireplace.)

Adjacent wall to front window of unit:	12 inches	(305 mm)
Mantel to appliance:	20 inches	(508 mm)
Maximum mantel extension:	6 inches	(152 mm)
Clearance to Single Vent:	6 inches	(152 mm)

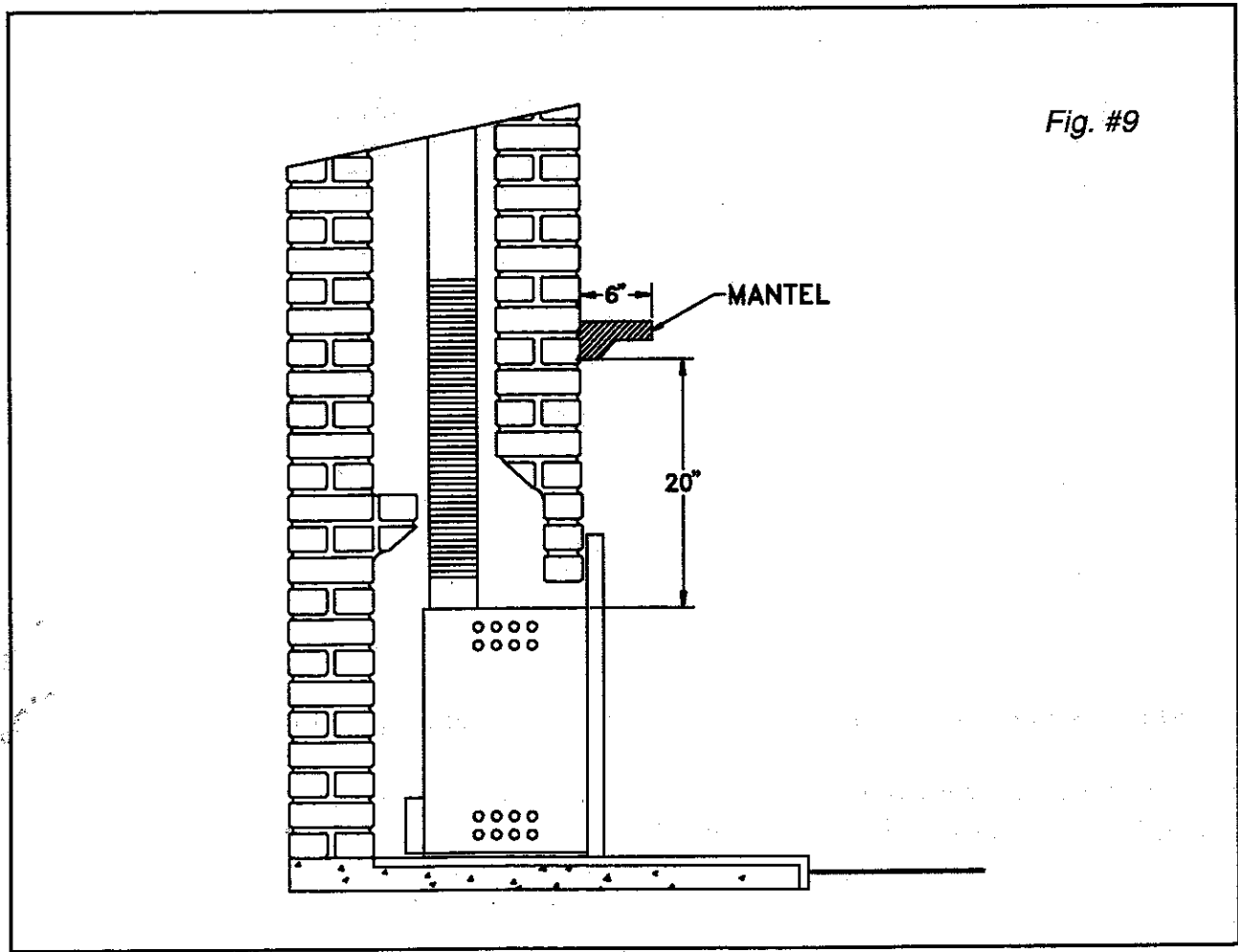


Fig. #9

MIRAGE INSERT REPLACEMENT PARTS

Fig. #10

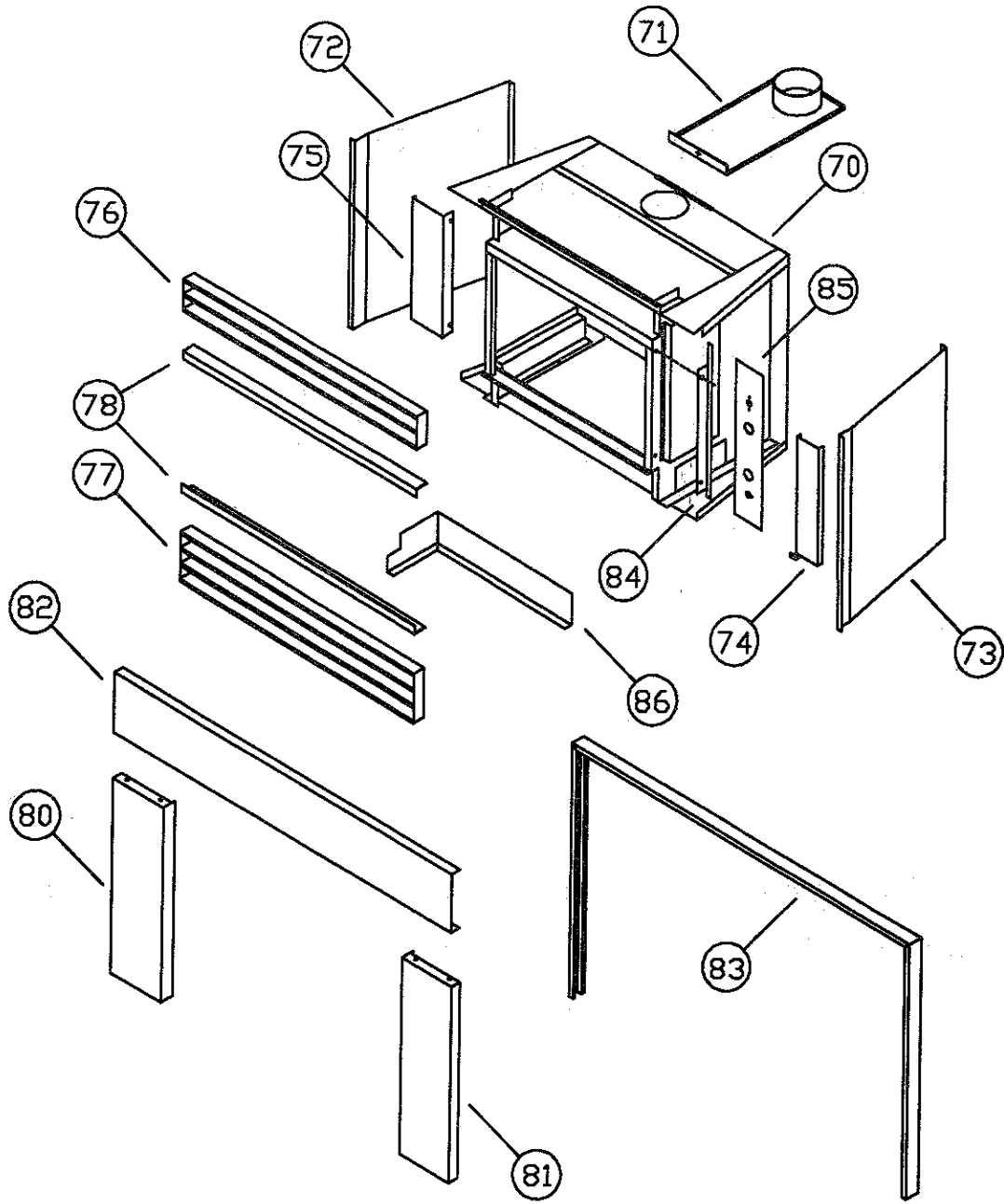
(WHEN ORDERING, INCLUDE PART NUMBER WITH DESCRIPTION)

PART NO.	DESCRIPTION
70.....	MAIN BODY
71.....	CONNECTOR PLATE
72.....	LEFT SIDE PANEL
73.....	CONTROL SIDE PANEL
74.....	CONTROL DOOR
75.....	LEFT FRONT PANEL
76.....	TOP LOUVRE
77.....	BOTTOM LOUVRE
78.....	FRONT TRIM
79.....	SURROUND SET COMPLETE
80.....	SURROUND LEFT SIDE
81.....	SURROUND RIGHT SIDE
82.....	SURROUND TOP
83.....	SURROUND TRIM SET
84.....	CONTROL PANEL BRACKET
85.....	CONTROL PANEL
86.....	FAN AIR DEFLECTOR

For additional parts list refer to Mirage Installation and Operating Instructions.

All parts may be ordered from your nearest Pacific Energy Gas Stove dealer. Contact Pacific Energy for the location of the dealer nearest you.

FIG. #10



**Pacific Energy Gas Stoves
Box 29, 1394 Fisher Road
Cobble Hill, B.C. V0R 1L0**

When you've looked at all the others.

Printed in Canada