

F-37 RETROFIT BLOWER INSTALLATION INSTRUCTIONS PACIFIC INSERT SERIES D

- 1) UNPLUG POWER TO EXISTING BLOWERS.
- 2) REMOVE TRIM AND SIDE COVERS.
- 3) REMOVE EXISTING DUAL BLOWERS.
- 4) INSTALL F-37 RETROFIT BLOWER ON LEFT SIDE OF INSERT. THE FAN BRACKET WILL ATTACH TO EXISTING HOLES ON MOUNTING BRACKETS.
- 5) INSTALL AIR DEFLECTOR ON RIGHT SIDE OF INSERT. IN AN UPRIGHT POSITION PUSH DEFLECTOR BETWEEN FIREBOX AND OUTER CASING UNTIL FRICTION HOLDS IT FIRMLY IN PLACE.
- 6) RE-INSTALL RIGHT SIDE COVER AND TRIM.
- 7) THE LEFT SIDE COVER WILL NEED RELIEF HOLES DRILLED TO ALLOW THE SCREW HEADS OF THE NEW BLOWER MOUNTING SCREWS TO PROTRUDE. SEE FIG. 1
- 8) RE-INSTALL LEFT SIDE COVER AND TRIM.

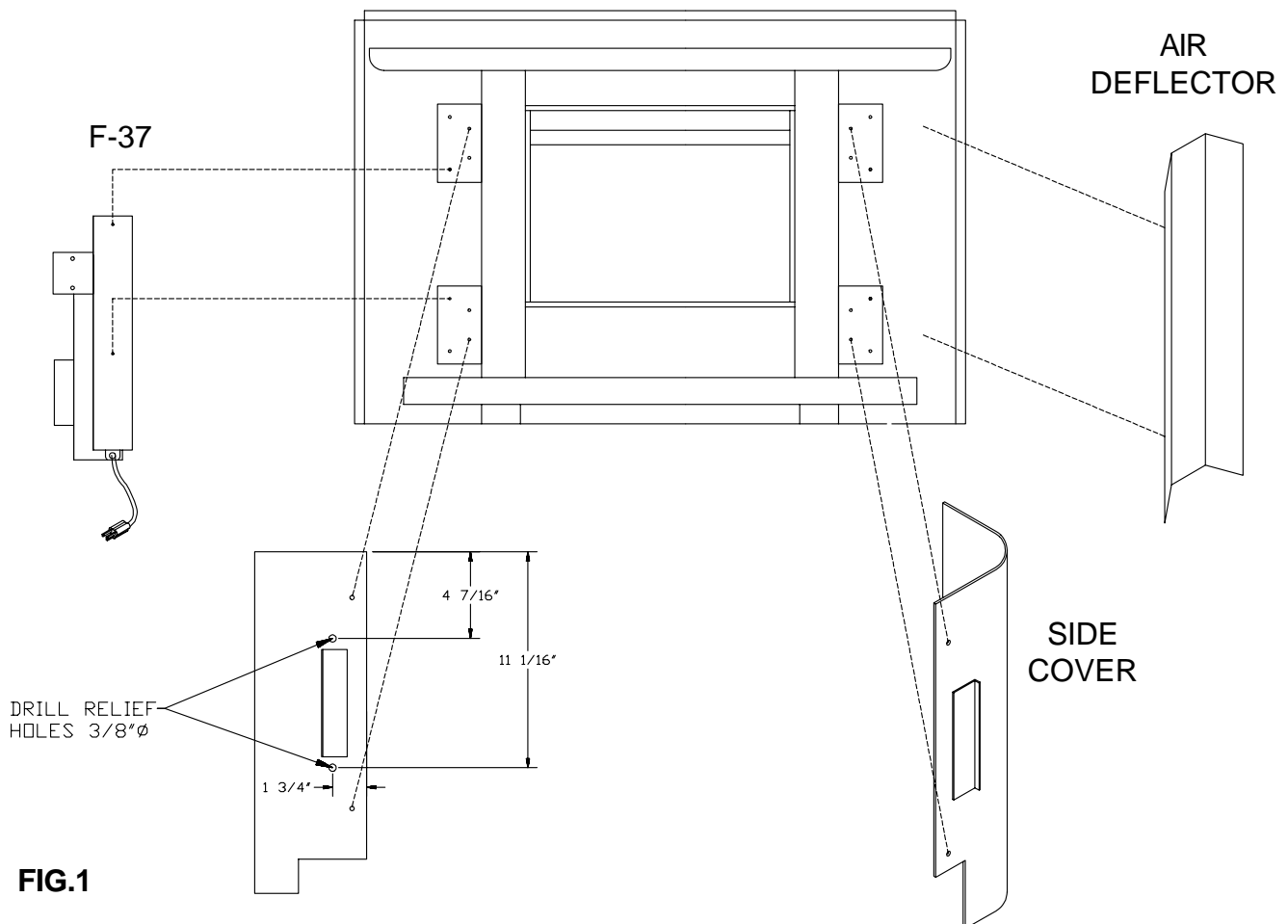


FIG.1