

ESPRIT L44

Linear Gas Fireplace

**PACIFIC
ENERGY**



ESPRIT L44 Linear Gas Fireplace

Quality built,
designed to impress.





A dramatic centerpiece for your home. This striking linear fireplace combines the proven efficiency and serviceability of Pacific Energy gas products with a variety of firebox options to perfectly compliment your home's decor.



Esprit L44 with Glass Burner

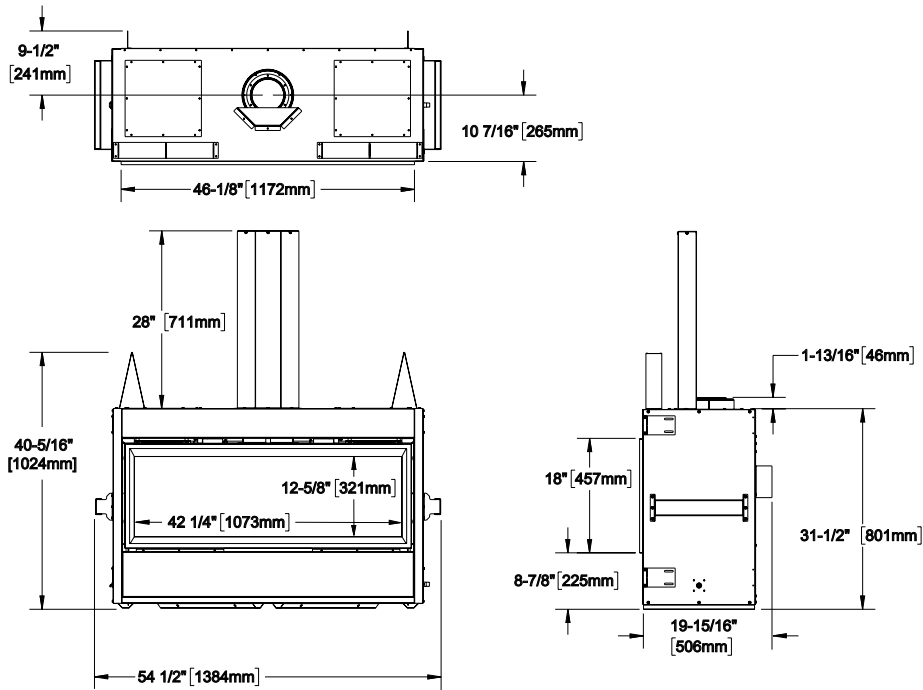
OPTIONS

- Driftwood log set**
- Three firebox panel designs**
- Glass lighting kit**
- Dual Variable speed blowers**



Esprit L44 with optional Driftwood Logset

Dimensions & Clearances



CLEARANCE TO COMBUSTIBLES

Ceiling from bottom of unit	68"
Chase height (top vented)	68"
Chase width	54.75"
Chase depth	20"
Clearance to sidewall from centre	27.25"
Objects in front of unit	36"
Hearth clearance	0"

MANTEL CLEARANCE FROM FLOOR

Mantel Depth	Mantel height from bottom of unit
2"	42"
6"	42"
12"	42"

Specifications

STANDARD FEATURES & OPTIONS

Painted Black Firebox
SIT Proflame 2 system
Top interior lighting
Glass Burner

Preinstalled burner tray
Remote Control
Up front venturi adjustment

OPTIONS

Three firebox panel options
Decorative driftwood logset
Ember bed lighting kit
120 cfm variable speed blower
LP conversion kit

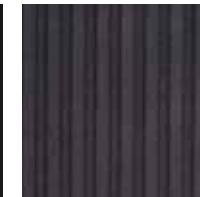


Decorative Driftwood Logset

FIREBOX UPGRADE OPTIONS



Black Porcelain



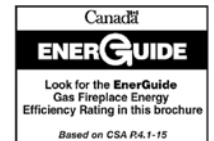
Fluted



Ledgestone

BTU INPUT

NG high 38,000 BTU/hr	P.4.1 65%
NG low 26,000 BTU/hr	
LP high 38,000 BTU/hr	P.4.1 63.4%
LP low 29,000 BTU/hr	



pacificenergy.net

Pacific Energy is committed to continuous product improvement and innovation. As a result, appearance and specifications of the products featured in this brochure are subject to change without notice.

For more information, please visit pacificenergy.net

SKU: 12900019 – Printed in Canada – 03/21/300