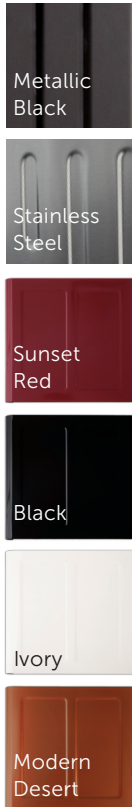


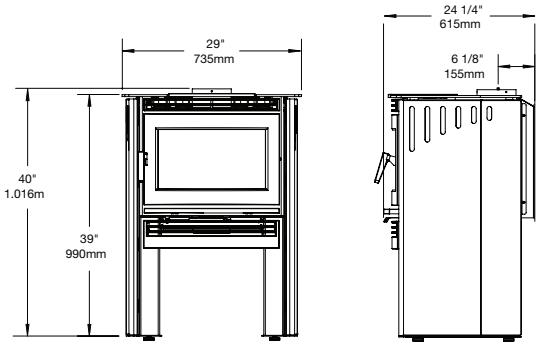


NEO 2.5 LE

FOR MEDIUM TO LARGE SPACES



UNIT DIMENSIONS



TECHNICAL DATA

60,000 BTU EPA Test Fuel

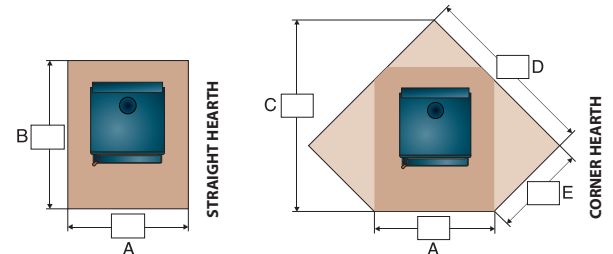
Efficiency (HHV)	72%
Emissions	2.0 gm/hr.
Log Size (recommended)	17"
Log Size (max)	18"
Firebox Size	2.5 cu.ft.
Viewing Area	184 sq.in.

CLEARANCES TO COMBUSTIBLES

From top of stove to ceiling: **44" (56" Mobile Home)**

	RESIDENTIAL SINGLE WALL	RESIDENTIAL DOUBLE WALL	MOBILE HOME DOUBLE WALL
A	12"	5"	5"
B	12"	8"	14"
C	18"	11"	15"
D	26 1/2"	22 1/2"	26"
E	8"	3"	4"
F	20 5/8"	15 5/8"	18"
G	N/A	5"	5"
H	N/A	8"	14"
I	N/A	11"	15"
J	N/A	22 1/2"	26"

FLOOR PROTECTOR DIMENSIONS



	MINIMUM	RESIDENTIAL SINGLE WALL	RESIDENTIAL DOUBLE WALL	ALCOVE DOUBLE WALL	MOBILE HOME
CANADA					
A	45"	45"	45"	45"	39"
B	49"	53"	46"	46"	47 5/8"
C	-	64"	57"	-	57 5/8"
D	-	61 1/4"	56 1/4"	-	54 1/2"
E	-	29 3/8"	24 3/8"	-	26 7/8"
USA					
A	35"	35"	35"	35"	34"
B	37 3/4"	49 3/4"	42 3/4"	42 3/4"	45 1/2"
C	-	60 3/4"	53 3/4"	-	55 3/8"
D	-	55 3/8"	50 3/8"	-	51 1/8"
E	-	30 5/8"	25 3/8"	-	27 1/8"