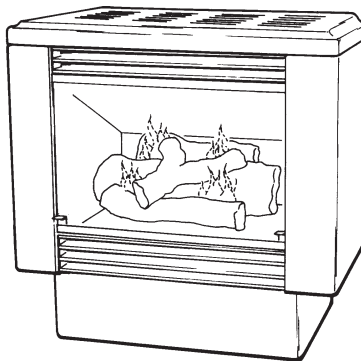


The Mirage

SERIES A VENTED ROOM HEATER INSTALLATION AND OPERATING INSTRUCTIONS



WARNING: If the information in this manual is not followed exactly, a fire or explosion may result causing property damage, personal injury or loss of life.

-- Do not store or use gasoline or other flammable vapors and liquids in the vicinity of this or any other appliance.

-- WHAT TO DO IF YOU SMELL GAS

- Do not try to light any appliance.
- Do not touch any electrical switch; do not use any phone in your building.
- Immediately call your gas supplier from a neighbour's phone. Follow the gas supplier's instructions.
- If you cannot reach your gas supplier, call the fire department.

--Installation and service must be performed by a qualified installer, service agency or the gas supplier.



IMPORTANT: THESE INSTRUCTIONS ARE TO REMAIN WITH THE HOMEOWNER

Contents

CAUTION	3
SAFETY.....	3
MAINTENANCE	3
LIGHTING INSTRUCTIONS.....	4
OPERATING	5
BURNER	5
CONTROL	5
GAS FLAME ADJUSTMENT	5
GAS SUPPLY.....	6
ELECTRICAL	6
BLOWER OPERATION.....	6
CLEARANCES	6
INSTALLATION AND VENTING.....	7
FLOOR PROTECTION.....	7
LOG SET	8
REPLACEMENT PARTS	9

CAUTION

FOR YOUR SAFETY - Do not install or operate your Pacific Energy Mirage without first reading and understanding this manual. Any installation or operational deviation from the following instructions voids the Pacific Energy Gas Stove Warranty and may prove hazardous.

This appliance and its individual shutoff valve must be disconnected from gas supply piping system during any pressure testing of that system at test pressures in excess of 1/2 psig. (3.5 kPa)

This appliance must be isolated from the gas supply piping system by closing its individual manual shutoff valve during any pressure testing of the gas supply piping system at test pressures equal to or less than 1/2 psig. (3.5 kPa)

SAFETY

Due to high temperatures, this gas appliance should be located out of traffic and away from furniture and draperies.

Children and adults should be alerted to the hazards of high surface temperature and should stay away to avoid burns or clothing ignition.

Young children should be carefully supervised when they are in the same room as the appliance.

Clothing or other flammable material should not be placed on or near the appliance.

Any grill, panel or door removed for servicing the unit must be replaced prior to operating. Failure to do so may create a hazardous condition.

Installation and repair should be done by a qualified service person. The appliance should be inspected before use and at least annually by a professional service person. More frequent cleaning may be required due to excessive lint from carpeting, bedding material, etc. It is imperative that control compartments, burners and circulating air passageways of the appliance be kept clean.

It is Pacific Energy's policy that no responsibility is assumed by the Company or by any of its employees or representatives for any damages caused by an inoperable, inadequate, or unsafe condition which is the result, either directly or indirectly, of any improper operation or installation procedures.

MAINTENANCE

Caution: Turn off gas and electrical power supply and allow ample time for unit to cool before servicing appliance. It is recommended that this appliance and venting should be inspected at least once a year by a qualified service person.

Do not use this heater if any part has been under water. Immediately call a qualified service technician to inspect the heater and to replace any part of the control system and any gas control which has been under water.

Annual Inspection:

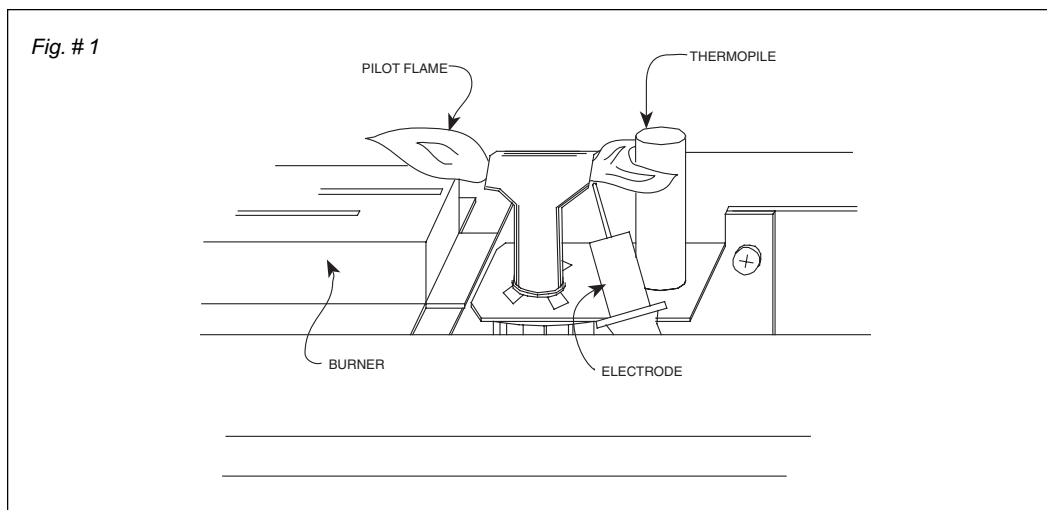
- a) Clean louvres and air passage ways of excessive lint build-up from carpeting, bedding material, etc. The flow of combustion and ventilation air must not be obstructed.
- b) Remove glass panel and log set. Inspect logs and burner assembly for lint and soot build-up. If excessive build-up of soot is present, have a qualified serviceman inspect and adjust unit for proper combustion. Clean logs and burner with a vacuum cleaner, paying close attention to port on burner.
- c) Check the pilot system for proper operation. (See Fig. #1)
- d) Check that the chimney flue and its outlet are open and free from blockage or debris.
- e) Check glass panel gasket, replace if necessary.

Note: The appliance area must be kept clear and free from combustible materials, gasoline and other flammable vapours and liquids.

Periodically:

- a) Viewing glass may be cleaned with glass cleaner.
- b) Exterior porcelain enamel finish may be cleaned with soap and water.

Note: Never use abrasives to clean this appliance.





FOR YOUR SAFETY READ BEFORE LIGHTING

WARNING: If you do not follow these instructions exactly, a fire or explosion may result causing property damage, personal injury or loss of life.

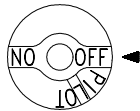
- A. This appliance has a pilot which must be lighted by hand. When lighting the pilot, follow these instructions exactly.
- B. BEFORE LIGHTING smell all around the appliance area for gas. Be sure to smell next to the floor because some gas is heavier than air and will settle on the floor.
- WHAT TO DO IF YOU SMELL GAS:
- Do not try to light any appliance.
 - Do not touch any electric switch; do not use any phone in your building.
 - Immediately call your gas supplier from a neighbour's phone. Follow the gas supplier's instructions.
- If you cannot reach your gas supplier, call the fire department.
- C. Use only your hand to push in or turn the gas control knob. Never use tools. If the knob will not push in or turn by hand, don't try to repair it, call a qualified service technician. Force or attempted repair may result in a fire or explosion.
- D. Do not use this appliance if any part has been under water. Immediately call a qualified service technician to inspect the appliance and to replace any part of the control system and any gas control which has been under water.

LIGHTING INSTRUCTIONS

1. STOP! Read the safety information above on this page.
2. Set thermostat to lowest setting.
3. Turn off all electric power to the appliance.
4. Turn burner control dial clockwise  to "Off" position.
5. Partially depress and turn gas control dial clockwise  past "Pilot" to "Off" position.

MAIN VALVE

Gas control knob shown in OFF position



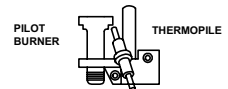
Note: Knob cannot be turned from "Pilot" to "off" unless knob is pushed in slightly. Do not force.


6. Allow sufficient length of time (minimum 5 minutes) for any gas in the combustion chamber to escape. If you still smell gas, STOP! Follow "B" in the safety information on above on this page. If you don't smell gas, go to the next step.
7. Turn gas control knob back to "Pilot" position.
8. Depress gas control knob fully and hold while you ignite pilot with the rotary igniter. Once the pilot ignites, continue depressing knob for approximately 1/2 minute. If pilot does

not stay lit, repeat steps 4 through 7, allowing a longer period before releasing gas control knob.

- If gas control knob does not pop up when released, stop and immediately call your service technician or gas supplier.
- If the pilot will not stay lit after several tries, turn the gas control dial to "off" and call your service technician or gas supplier.


9. To normally light the pilot, use the rotary igniter.
10. To light pilot by hand, remove front glass panel. Locate pilot just behind the front log and to the right. Repeat steps 5 through 8, lighting the pilot with a match instead of rotary igniter.



11. Replace front glass panel.
12. Turn gas control knob counter-clockwise  to "On" position.
13. Turn on all electric power to the appliance.
14. Set thermostat to desired setting.

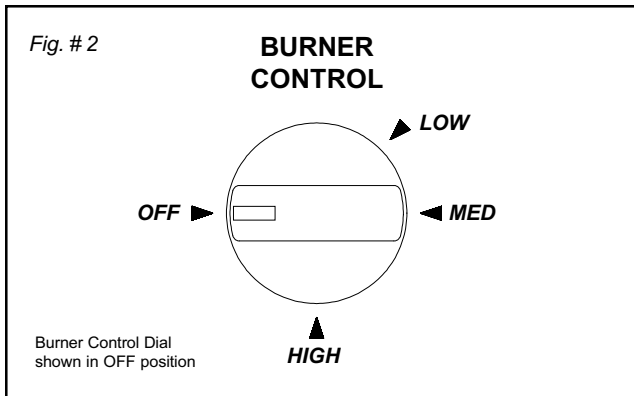
Note: Sufficient time must be allowed for air to escape from lines if the unit is being lit for the first time.

TO TURN OFF GAS TO APPLIANCE

1. Set thermostat to lowest setting.
2. Turn off all electric power to the appliance if service is to be performed.
3. Push in gas control knob slightly and turn clockwise  to "Off". Do not force.

OPERATING

Once a pilot light has been established, the unit may be operated one of two ways:



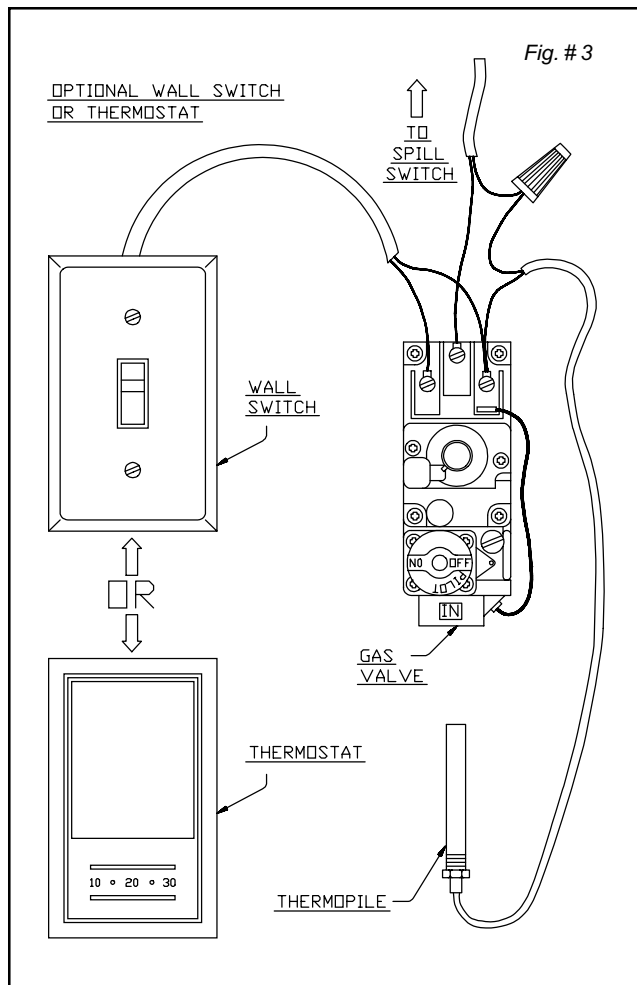
Manual:

- 1) Turn burner control dial to desired setting. (Set to Hi, Med, or Low only - do not operate in between settings. See Fig. # 2) To turn unit off, turn burner control dial to "OFF" position.

Remote:

Optional wall switch is required. (Fig. # 3)

- 1) Turn burner control dial to desired setting. (Set to Hi, Med, or Low only - do not operate in between settings. See Fig. # 2.) The unit may be turned on or off via wall switch.



Extend Shutdown:

- 1) Partially depress and turn gas control dial clockwise past "PILOT" to "OFF" position.

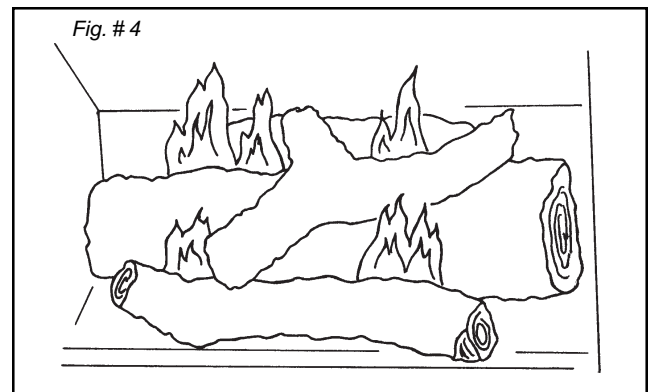
To re-light unit, see "lighting instructions" section.

Note: When lit for the first time, the appliance will emit a slight odour for a couple of hours. This is due to the curing of paints, sealants and lubricants in the manufacturing process. This condition is temporary. Open doors and windows to ventilate area.

GAS FLAME ADJUSTMENT

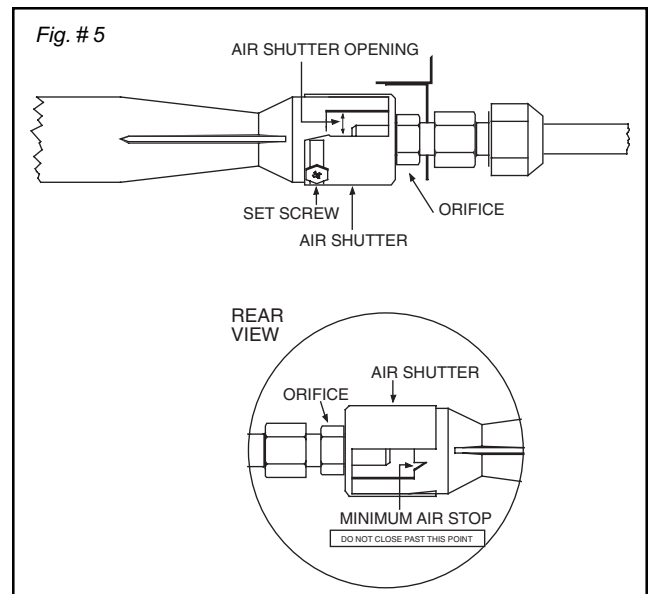
The air shutter on the burner venturi tube controls the primary combustion air to the gas burner. Although it is preset at the factory, some adjustment may be necessary to obtain desired flame and to eliminate carbon deposits. (See Fig. # 4 for proper flame pattern)

Natural gas:	3/16" open
Propane gas:	5/16" open



To Adjust: (See Fig. # 5)

- 1) Remove bottom front louver and shield.
- 2) Loosen set screw and turn air shutter until proper flame is achieved.
- 3) Tighten set screw.



Caution: Proper air shutter setting is a must. The flame should be just orange and "lazy". It should NEVER be set to create sooting on internal parts and glass. Open air shutter gradually until sooting stops.

GAS SUPPLY

The Mirage Gas Appliance comes equipped with a 3/8" N.P.T. Male inlet for easy gas connection. This connection is located under the burner assembly.

Correct gas pressure requirement:

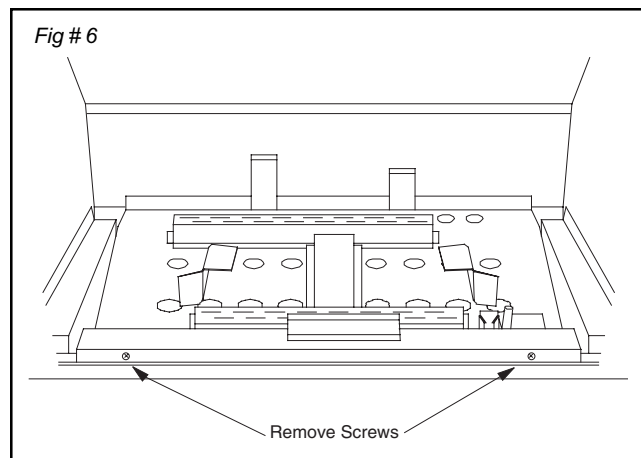
	Natural Gas	Propane
Min Pressure <small>(For purpose of input adjustment)</small>	5.0" wc	11.0" wc
Max Pressure	10.5" wc	13.0" wc
Manifold Pressure	3.5" wc	10.0" wc

To remove burner assembly:

- 1) Lift glass up by the bottom tabs, until it clears the bottom shelf and remove.
- 2) Remove all logs from firebox, taking care not to damage them.
- 3) Remove 2 screws located in the front bottom holding burner in place (see Fig. # 6)
- 4) Lift burner up on the left side, just enough to slide whole assembly to the left to disconnect from the orifice.
- 5) Remove burner through front opening.

To replace burner assembly:

Reverse above procedure.



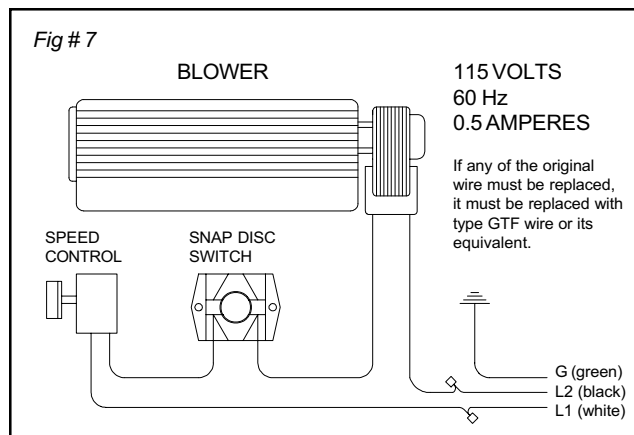
Gas supply piping may enter the cabinet from any side. Proper gas line diameter must be used to assure proper operation. A pressure test port (1/8 inch N.P.T. plugged tapping) must be provided for checking gas pressure. This port must be located immediately upstream of the gas supply connection to the appliance.

ELECTRICAL

No electrical connection is required for the gas system operation. The self generating pilot provides current for the optional remote wall switch. (See fig. # 4 for proper installation of remote wall switch.)

Circulating air blower electrical rating: 115V, 60HZ, 80 watts. (See Fig. # 7 for blower wiring diagram) For your protection against shock hazard, use only a properly grounded outlet that will accept a three-pronged plug. Do not cut or remove the grounding prong.

Consult local codes or, in the absence of local codes, with the current CSA C22.1 Canadian Electrical Code and in the USA with the National Electrical Code, ANSI/NFPA 70 (Latest Edition)

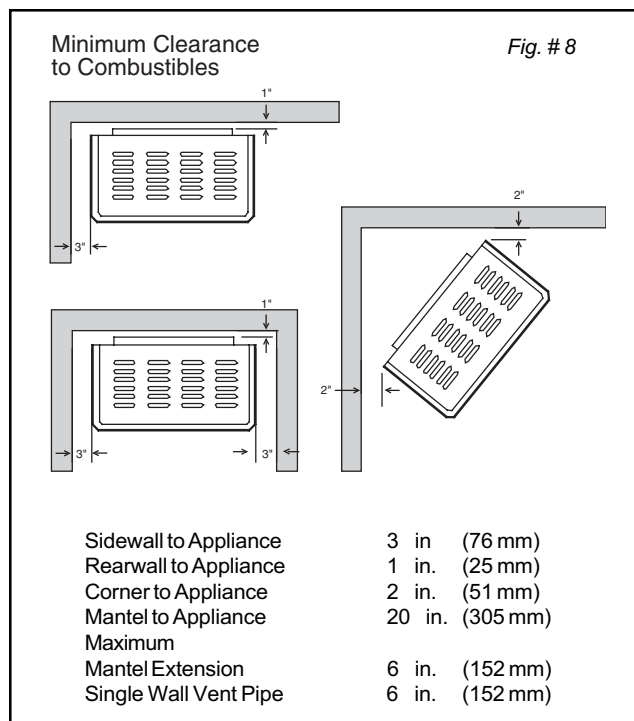


BLOWER OPERATION

The circulating air blower is thermostatically controlled and will not operate if appliance is cold. A few minutes after the appliance is lit and the variable speed control set at a desired setting, the blower will automatically turn on. The blower will automatically turn off a few minutes after the appliance is shut down.

CLEARANCES

The minimum clearances from the appliance to combustibles are shown on Fig. # 8. For purpose of servicing, a 12" right side (side with controls) clearance is recommended. Adequate clearances around air openings and combustion air supply are required.



INSTALLATION AND VENTING

Caution: A gas appliance must not be connected to a chimney flue servicing a separate solid fuel burning appliance.

This appliance MUST be properly connected to a venting system. This heater is equipped with a vent safety shutoff system designed to protect against improper venting of combustion products.

WARNING: Operation of this heater when not connected to a properly installed and maintained venting system or tampering with the vent safety shutoff system can result in carbon monoxide (CO) poisoning and possible death.

Note: This appliance has a draft hood built in, and when installed according to these instructions, the draft hood is in the same atmospheric pressure zone as the combustion air inlet to the appliance. Adequate combustion and ventilation air must be provided for safe and proper operation.

The Mirage Gas Appliance installation and venting must conform to the current CAN/CGA-B149 installation code (in Canada) or the National Fuel Gas Code, ANSI Z223.1 -1988 (in the USA), and approved per local codes. Only qualified (licensed or trained) personnel should install this product.

VENT PIPE

The horizontal section of the vent pipe must not exceed 8 feet and the vertical section of the vent pipe must not be less than 6 feet.

NEW INSTALLATION: (Fig. # 9 and 10)

The Mirage Gas Appliance must be connected to a listed gas vent system. Vent installation must conform with local codes, or, in the absence of local codes, with the National Building Code. Type "B" gas vent, 4 inch round or oval vent with 1 inch clearance to combustibles must be used. Follow venting instructions supplied with the vent for clearances and installation requirements.

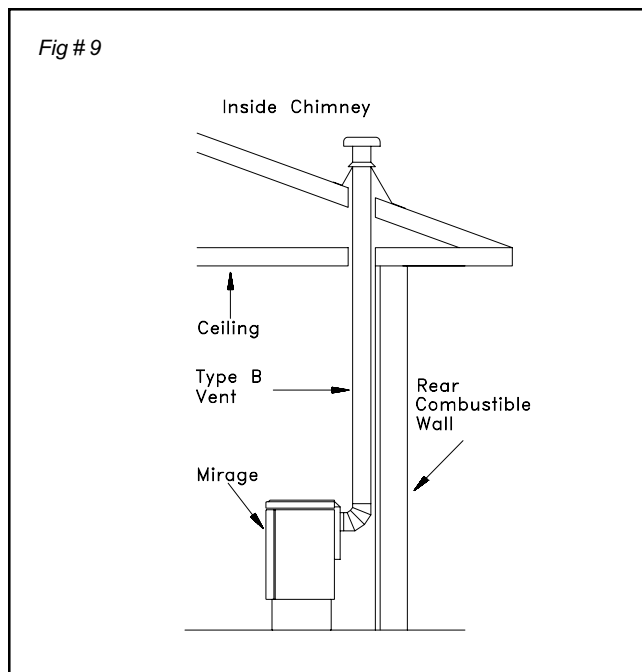
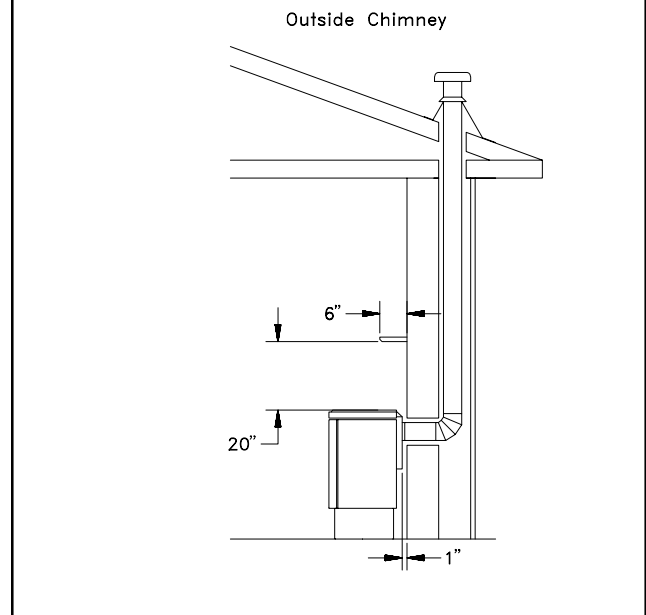
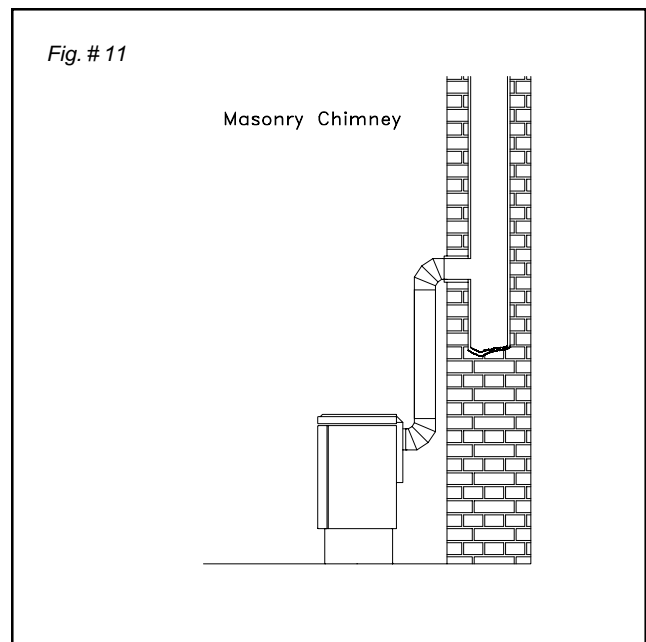


Fig. # 10



EXISTING MASONRY CHIMNEY: (Fig. # 11)

Alternate method of venting a Mirage is with a masonry chimney. The chimney must be cleaned and checked that it is in safe working condition. Reline the chimney using an approved 4" flue liner and install in accordance with its own instructions.



FLOOR PROTECTION

The Mirage free-standing unit may be installed on a combustible floor. If the appliance is to be directly installed on carpeting, non-ceramic tile or other combustible material other than wood flooring, this appliance must be installed on a metal or wood panel extending the full depth and width of this unit.

LOG SET

Unpack and inspect log set. There should be a total of 4 logs as shown in Fig. # 12. All gas and venting connections should be made before installing log set.

LOG SET ASSEMBLY: (See Fig. # 13)

- 1) Place the back log on rear tabs of burner assembly, with flat side facing rear and the bark side forward. The tabs should fit into notches of log.
- 2) Place the large middle log on centre tabs of burner assembly. Locate log on top of tabs with flat part down, hollow part facing rear and bark side facing forward.
- 3) Front log locates on channel in front of burner. Flat part down and curve up on the left side.
- 4) The top "Y" log bridges across from the front log to the large centre log. The top log has to be locked into notches on the front log and middle log. For proper position see step 4 of Figure 11.

Note: Improper placement of logs may cause sooting on internal parts and glass.

Fig. #12

Back Log



Middle Log



Front Log



Top Log

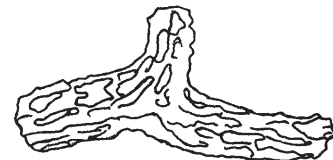
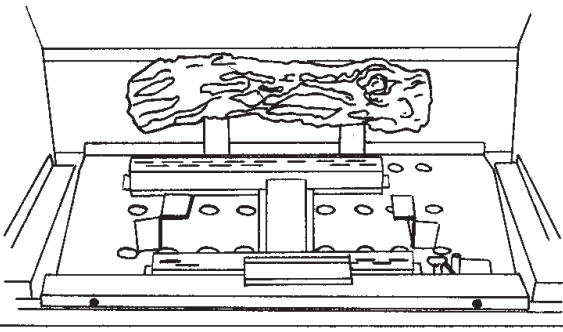
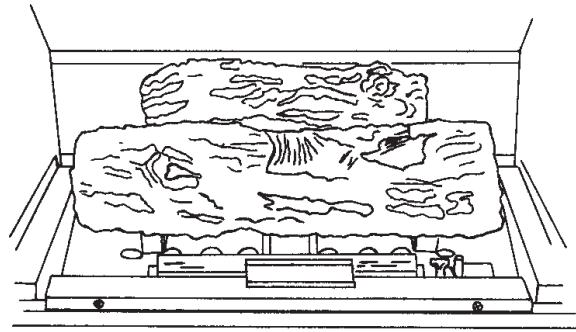


Fig # 13

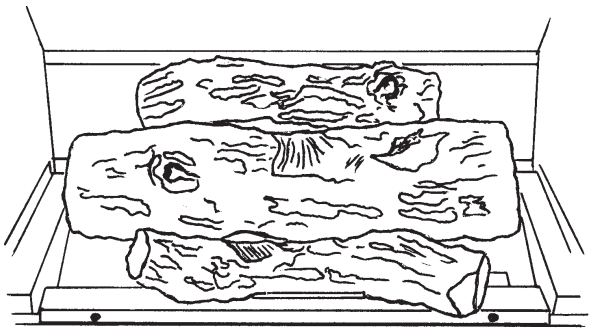
Step 1
Back Log Placement



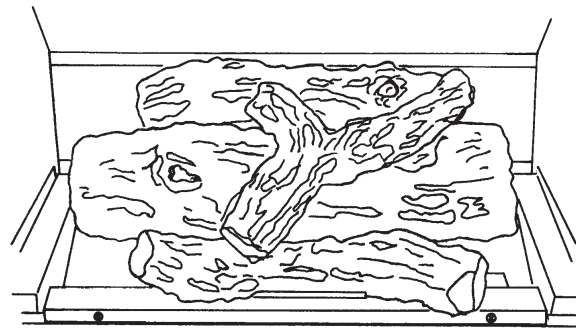
Step 2
Middle Log Placement



Step 3
Front Log Placement



Step 4
Top Log Placement



REPLACEMENT PARTS

Fig. # 14 and 15

(WHEN ORDERING, INCLUDE PART NUMBER WITH DESCRIPTION)

DESCRIPTION	PART NO.	DESCRIPTION	PART NO.
MAIN BODY	1	BURNER CONTROL VALVE - NAT. GAS	33
TOP PANEL	2	BURNER CONTROL VALVE - LP	34
LEFT SIDE PANEL	3	GAS CONTROL KNOB	35
CONTROL SIDE PANEL	4	GAS CONTROL KNOB EXTENSION	36
CONTROL DOOR	5	BURNER CONTROL KNOB	37
PEDESTAL COVER	6	CONNECTOR FITTING	38
'MIRAGE' LOGO	7	INLET PIPE	39
TOP LOUVER	8	BURNER SUPPLY TUBE	40
BOTTOM LOUVER	9	ORFICE CONNECTOR FITTING	41
FRONT TRIM	10	ORIFICE - NAT. GAS	42
GLASS PANEL	12	ORIFICE - LP	43
HANDLES (2)	13	VENTURI TUBE	44
GLASS GASKET KIT	14	VENTURI GASKET	45
BAFFLE	15	BURNER ASSEMBLY	46
LOG SET COMPLETE	16	PILOT ASSEMBLY - NAT. GAS	47
SMALL FRONT LOG	17	PILOT ASSEMBLY - LP	48
LARGE MIDDLE LOG	18	PILOT ORIFICE - NAT. GAS	49
MEDIUM BACK LOG	19	PILOT ORIFICE - LP	50
TOP LOG	20	THERMOPILE	51
REPLACEMENT BLOWER	21	PILOT SUPPLY TUBE	52
RHEOSTAT C/W RETAINING NUT	22	BUSHING	53
RHEOSTAT KNOB	23	WIRE STRAIN RELIEF	54
SNAP DISC SWITCH	24	WIRE NUT	55
BLOWER WIRING HARNESS	25	CONTROL BRACKET	56
CORD	26	ORIFICE HOLDER	57
CORD STRAIN RELIEF	27	1/4 SPACER	58
CONTROL PANEL	28	CONTROL PANEL BRACKET	59
ROTARY IGNITER	29	3/8 SPACER	60
IGNITER KNOB	30	LOUVER SHIELD	61
GAS CONTROL VALVE - NAT. GAS	31	PEDESTAL	62
GAS CONTROL VALVE - LP	32	SPILL SWITCH	63

Hearth Model Kit:

The Mirage F-S model may be converted to a Hearth model using kit # HM92. Refer to installation instructions accompanying the kit.

All parts may be ordered from your nearest Pacific Energy Gas Stove dealer. Contact Pacific Energy for the location of the dealer nearest you.

Fig. # 14

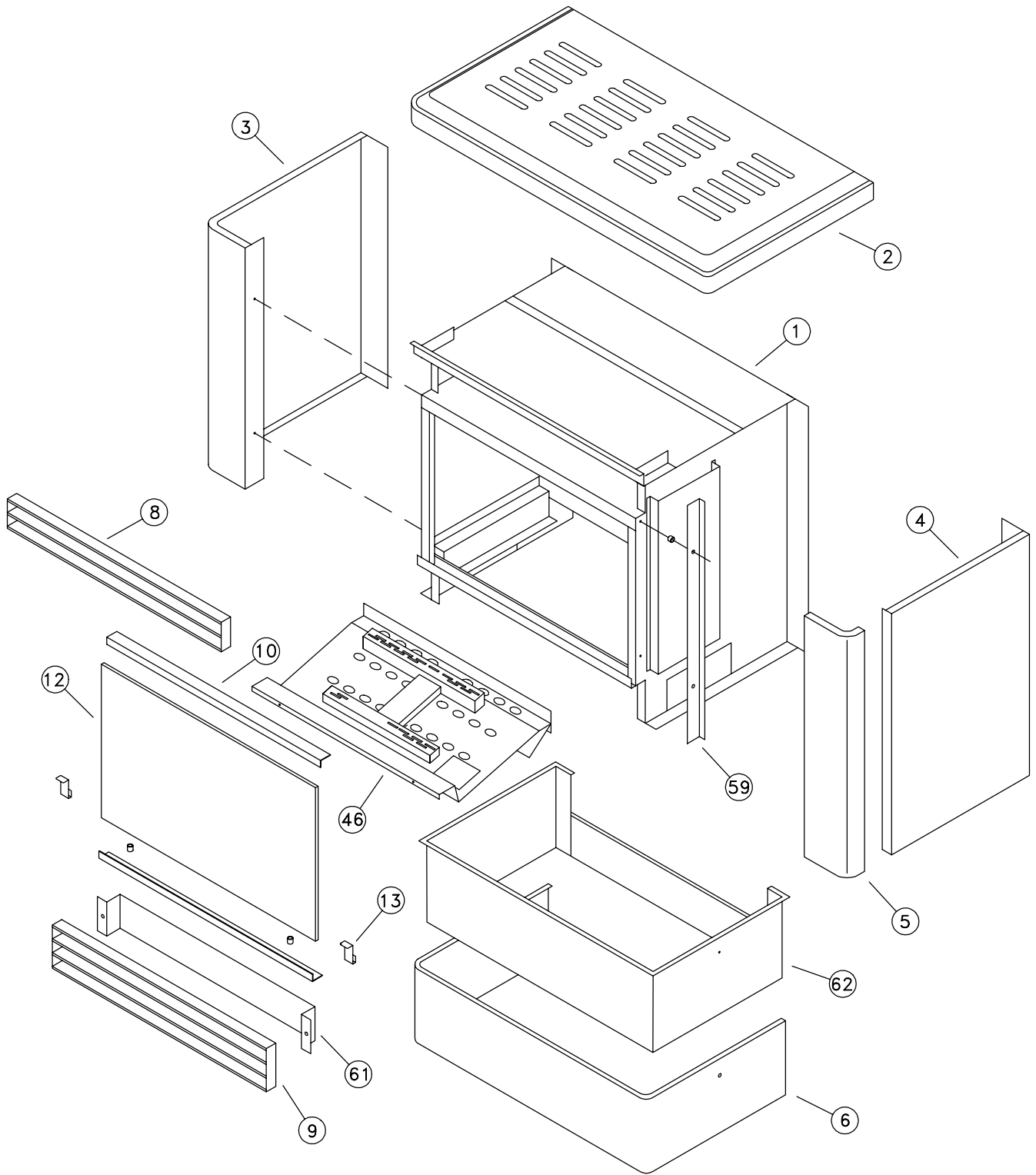
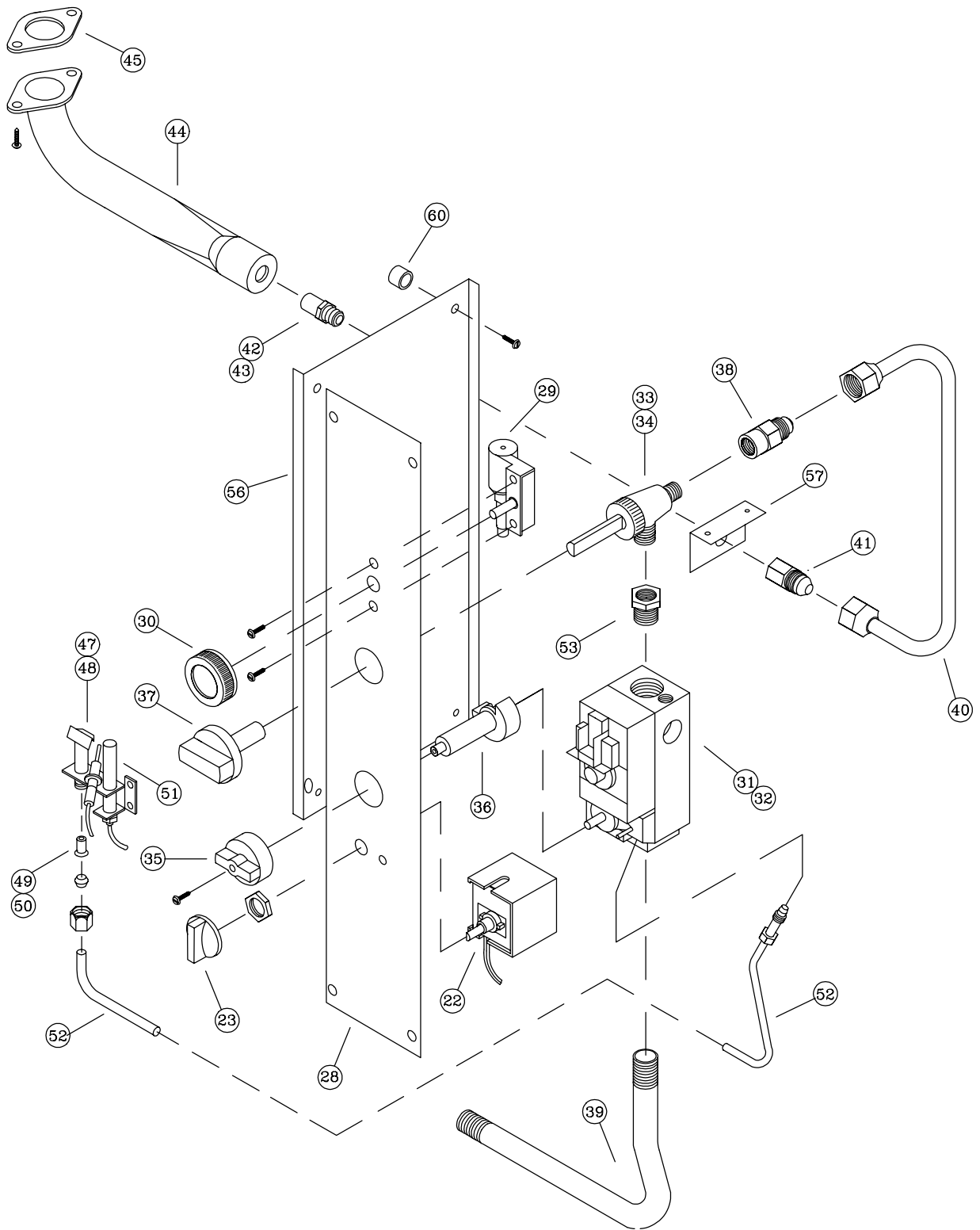


Fig. # 15



**Pacific Energy Gas Stoves
Box 29, 1394 Fisher Road
Cobble Hill, B.C. V0R 1L0**

When you've looked at all the others.

Printed in Canada