

WOOD STOVES

# NEO SERIES

CATALYTIC-FREE | EPA2020 CERTIFIED

**PACIFIC  
ENERGY**



# NEO SERIES

FREESTANDING WOOD STOVES



The Neo LE wood stove makes a bold statement with its tall profile for easy loading, line-of-sight view of the flame, and modern design. Like its larger cousin the Neo 2.5 LE, the Neo 1.6 LE is a true heating machine with Pacific Energy's solid steel construction and floating firebox with stainless steel baffle. Choose the color that is right for your home with side panels available in a variety of porcelain enamel colors.

NEO 1.6 LE - SUNSET RED



NEO 1.6 LE - IVORY



NEO 2.5 LE - STAINLESS STEEL

**EPA2020  
CERTIFIED**



All Pacific Energy Wood Stoves come standard with these industry leading features:

- EPA 2020 Certified
- Reliable, durable, catalytic-free technology
- High capacity baffle system
- Multi-port combustion air injection system
- Air wash system for super clean ceramic glass
- Inside and outside combustion air capable
- Floating firebox for extended stove life
- Single-Lever Air Control
- Mobile Home Approved



**BUILD YOUR STOVE**  
[pacificenergy.net/build-your-stove](http://pacificenergy.net/build-your-stove)



NEO 1.6 LE - METALLIC BLACK



NEO 2.5 LE - EBONY PORCELAIN

## NEO 1.6 LE

For spaces up to 1500 sq. ft.

Heat Output Cord Wood

**56,000 BTU**

23,200 BTU EPA Test Fuel

Efficiency (HHV)	72%
Emissions	1.9 gm/hr.
Log Size (recommended)	16"
Log Size (max)	17"
Firebox Size	1.6 cu.ft.
Viewing Area	173 sq.in.

## NEO 2.5 LE

For spaces up to 2000 sq. ft.

Heat Output Cord Wood

**85,000 BTU**

60,000 BTU EPA Test Fuel

Efficiency (HHV)	72%
Emissions	2.0 gm/hr.
Log Size (recommended)	17"
Log Size (max)	18"
Firebox Size	2.2 cu.ft.
Viewing Area	184 sq.in.



## DESIGN-A-STOVE

### STEEL OPTIONS

The Neo 1.6 + 2.5 LE sidepanels are available in two steel finishes, painted metallic black or stainless steel.



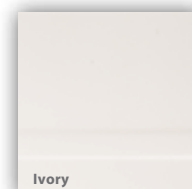
Metallic Black



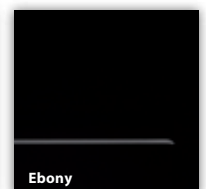
Stainless Steel

### PORCELAIN ENAMEL OPTIONS

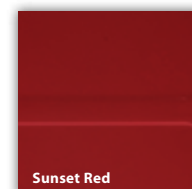
The Neo 1.6 + 2.5 LE sidepanels are available in three porcelain enamel colors. Optional colors are available, please see Dealer.



Ivory



Ebony



Sunset Red

## NEO 1.6 LE

### STANDARD FEATURES

Easy to use ash disposal system  
Rich Metallic Black finish  
Heavy plate-steel top  
304 Stainless Steel Baffle, Tubes, Rails and Flame Shield  
Boost air for easy lighting  
Mobile home approved  
Leveling Legs  
Integrated Heat Exchanger  
East-West fuel loading

### DESIGN OPTIONS

Side panels in painted Metallic Black Steel, Stainless Steel, or a choice of three lustrous Porcelain Enamel colors

### PERFORMANCE OPTIONS

Temperature-Actuated Variable-Speed Blower

## NEO 2.5 LE

### STANDARD FEATURES

Extended Burn Technology (EBT)  
Easy to use ash disposal system  
Rich Metallic Black finish  
Heavy plate-steel top  
304 Stainless Steel baffle, Rails and Flame Shield  
Boost air for easy lighting  
Mobile home approved  
Leveling Legs  
Integrated Heat Exchanger  
East-West fuel loading  
Removable cast iron trivet over cooking surface

### DESIGN OPTIONS

Side panels in painted Metallic Black Steel, Stainless Steel, or a choice of three lustrous Porcelain Enamel colors

### PERFORMANCE OPTIONS

Temperature-Actuated Variable-Speed Blower



## BAFFLE SYSTEM

Pacific Energy leads the industry in premium catalytic-free clean burn technology. Our unique high capacity baffle system preheats secondary combustion air for an extremely effective reburn. By burning the combustible elements in the air, we improve our stove's environmental performance while significantly reducing the amount of wood consumed.



## EBT2 EXTENDED BURN

EBT2 (the second generation of Extended Burn Technology) is field proven to be highly effective at controlling the secondary burn system, extending burn times and reducing overall emissions.

PERFORMANCE EFFICIENCY	BURN TIME			
	Combustion Air	Fuel Quality	Draft	no EBT
			<b>EBT</b>	



## FLOATING FIREBOX

All fireboxes are subjected to wild extremes of temperatures. Solidly designed with steel brick support rails, our legendary floating system allows key parts to freely expand and contract to drastically reduce metal fatigue and add years of life to the entire appliance. The high capacity stainless steel baffle (part of the clean-burning secondary combustion system) and the flame shield (which protects the stove top from intense heat) are integral components of our legendary floating firebox system.



## SELF SEALING ASH DUMP SYSTEM

Our self-sealing ash dump system, with its spring-loaded trap door provides a time saving, hassle-free ash removal solution that, frankly, has yet to be equaled. Pacific Energy's machined steel, spring loaded ash removal system is opened from outside the stove and closes automatically for safety and convenience when you're done.



## AIR WASH

Pacific Energy developed the first effective air wash manifold systems, a design that flows pre-heated air to the glass surface to keep it clean. A refined design now creates a high-pressure zone in the center and forces air to flow from above and across the glass. Even at low air settings, we are confident that our air wash system is the most effective available. And that our glass doors are among the cleanest in the industry.



**@pacificenergyfireplaceproducts**

Follow us on Facebook and Instagram for news, promotions, and inspiring installations.



**BUILD YOUR STOVE**  
[pacificenergy.net/build-your-stove](http://pacificenergy.net/build-your-stove)



NEO 2.5 LE - SUNSET RED

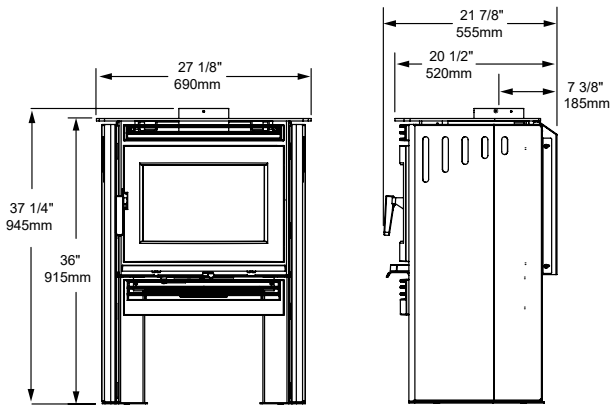


NEO 1.6 LE - METALLIC BLACK

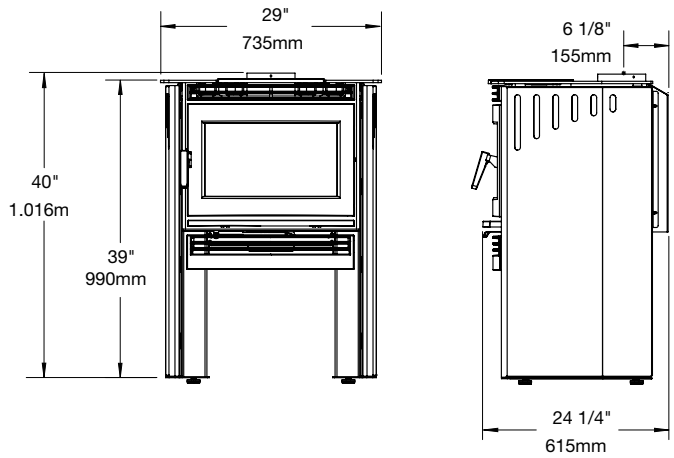


NEO 2.5 LE - STAINLESS STEEL

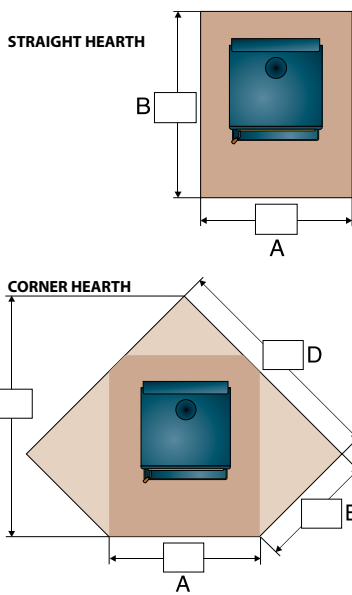
## NEO 1.6 LE



## NEO 2.5 LE



### FLOOR PROTECTOR DIMENSIONS



### CANADA

	NEO 1.6 LE					NEO 2.5 LE				
	A	B	C	D	E	A	B	C	D	E
Minimum (Not extended to back wall)	43"	45"	-	-	-	45"	49"	-	-	-
Residential, single wall, vertical connector	43"	47"	58"	56"	25 5/8"	45"	53"	64"	61 1/4"	29 3/8"
Residential, double wall, vertical connector	43"	45"	55"	54"	23 5/8"	45"	46"	57"	56 1/4"	24 3/8"
Alcove, double wall, connector	43"	45"	-	-	-	45"	46"	-	-	-
Mobile home	43"	45"	55"	54"	23 5/8"	39"	47 5/8"	57 5/8"	54 1/2"	26 7/8"

### USA

	NEO 1.6 LE					NEO 2.5 LE				
	A	B	C	D	E	A	B	C	D	E
Minimum (Not extended to back wall)	33"	35"	-	-	-	35"	37 3/4"	-	-	-
Residential, single wall, vertical connector	33"	45"	56"	51"	27 5/8"	35"	49 3/4"	60 3/4"	55 3/8"	30 5/8"
Residential, double wall, vertical connector	33"	43"	53"	49"	25 5/8"	35"	42 3/4"	53 3/4"	50 3/8"	25 3/8"
Alcove, double wall, connector	33"	43"	-	-	-	35"	42 3/4"	-	-	-
Mobile home	33"	43"	53"	49"	25 5/8"	34"	45 1/2"	55 3/8"	51 1/8"	27 1/8"

### CLEARANCES TO COMBUSTIBLES

		From top of stove to ceiling	STRAIGHT (VERTICAL CONNECTOR)				CORNER		ALCOVE			
			A	B	C	D	E	F	G	H	I	J
			<b>RESIDENTIAL SINGLE WALL CONNECTOR</b>	NEO 1.6 LE	48"	10"	10"	17-3/8"	23-1/2"	7"	20"	10"
	NEO 2.5 LE	44"	12"	12"	18"	26-1/2"	8"	20-5/8"	N/A	N/A	N/A	N/A
<b>RESIDENTIAL DOUBLE WALL CONNECTOR</b>	NEO 1.6 LE	48"	8"	8"	15-3/8"	15-3/8"	5"	18"	8"	8"	15-3/8"	15-3/8"
	NEO 2.5 LE	44"	5"	8"	11"	22-1/2"	3"	15-5/8"	5"	8"	11"	22-1/2"
<b>MOBILE HOME DOUBLE WALL CONNECTOR</b>	NEO 1.6 LE	48"	8"	8"	15"	22"	5"	18"	8"	8"	15"	22"
	NEO 2.5 LE	56"	5"	8"	11"	22 1/2"	3"	15 5/8"	N/A	N/A	N/A	N/A



Pacific Energy is committed to continuous product improvement and innovation. As a result, appearance and specifications of the products featured in this brochure are subject to change without notice. For more information, please visit [pacificenergy.net](http://pacificenergy.net)

