

INSTALLER:

Leave this manual with the appliance.

CONSUMER:

Retain this manual for future reference.



WARNING: If the information in these instructions is not followed exactly a fire or explosion may result causing property damage, personal injury or death.

FOR YOUR SAFETY

Installation and service must be performed by a qualified installer, service agency or the gas supplier

WHAT TO DO IF YOU SMELL GAS

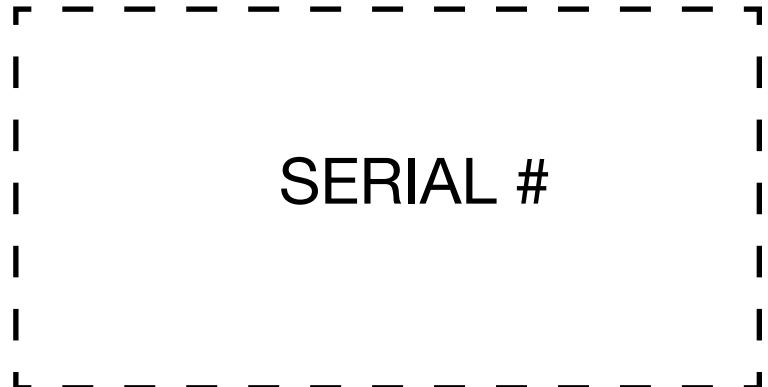
- Do not try to light any appliance.
- Do not touch any electrical Switch.
- Do not use any phone in your building.
- Immediately call your gas supplier from a neighbour's phone. Follow the gas supplier's instructions.
- If you cannot reach your gas supplier call the fire department.

Do not store or use gasoline or other flammable vapours and liquids in the vicinity of this or any other appliance.

This appliance is suitable for installation in a bedroom or bed sitting room.

This appliance may be installed in an after-market permanently located, manufactured home (USA only) or mobile home, where not prohibited by local codes.

This appliance is only for use with the type of gas indicated on the rating plate. This appliance is not convertible for use with other gases unless a certified kit is used.



**ESPRIT
INSTALLATION
AND OPERATING
INSTRUCTIONS**




**MODEL: ESPR.BODYB
ESPRIT ZERO CLEARANCE
FIREPLACE**



Visit www.pacificenergy.net for the most recent version of this manual

Table of Contents

<p>Important Note for the Commonwealth of Massachusetts 3</p> <p>Caution4</p> <p>Safety5</p> <p>First Fire 6</p> <p>Remote Control Operation7</p> <p style="padding-left: 20px;">System Description7</p> <p style="padding-left: 20px;">Transmitter (Remote Control with LCD Display)7</p> <p style="padding-left: 20px;">IFC Module..... 8</p> <p style="padding-left: 20px;">Operating Procedure 8</p> <p style="padding-left: 20px;">Initializing the System for the first time 8</p> <p style="padding-left: 20px;">Temperature indication Display 9</p> <p style="padding-left: 20px;">Turn on the Fireplace 9</p> <p style="padding-left: 20px;">Turn off the Fireplace 9</p> <p style="padding-left: 20px;">Manual Bypass of the Remote System..... 9</p> <p style="padding-left: 20px;">Key Lock.....9</p> <p style="padding-left: 20px;">Remote Flame Control 10</p> <p style="padding-left: 20px;">ROOM THERMOSTAT (Transmitter Operation) .. 10</p> <p style="padding-left: 20px;">Smart Thermostat (Transmitter Operation) 10</p> <p style="padding-left: 20px;">Comfort Fan Speed Control11</p> <p style="padding-left: 20px;">Continuous Pilot/Intermittent Pilot (CPI/IPI) selection11</p> <p style="padding-left: 20px;">Low battery detection12</p> <p style="padding-left: 20px;">Transmitter12</p> <p style="padding-left: 20px;">Receiver.....12</p> <p style="padding-left: 20px;">Key Lock.....12</p> <p>Warnings and Cautions12</p> <p>Maintenance 13</p> <p style="padding-left: 20px;">Glass Door..... 13</p> <p style="padding-left: 20px;">Annual Inspection 13</p> <p style="padding-left: 20px;">Periodically 13</p>	<p>Lighting Instructions14</p> <p>Fireplace Dimensions15</p> <p>Clearances to Combustibles17</p> <p style="padding-left: 20px;">Minimum Clearance to Combustible Materials ... 17</p> <p>Locating the Fireplace 18</p> <p>Surround Installation Instructions 19</p> <p>Venting21</p> <p>Vent Terminal Minimum Clearances22</p> <p>Venting Components 23</p> <p>Plumbing and Electrical24</p> <p style="padding-left: 20px;">Gas connection24</p> <p style="padding-left: 20px;">Electrical connection24</p> <p>Gas Supply25</p> <p>Gas Pressure Check25</p> <p style="padding-left: 20px;">Gas pressure requirements25</p> <p>Gas Pressure Testing Procedure 26</p> <p>Propane Conversion27</p> <p>Door Installation/Removal 28</p> <p>Fan Installation / Removal 28</p> <p style="padding-left: 20px;">Fan removal before fireplace installation..... 29</p> <p>Panel Installation / Removal 29</p> <p>Glass Burner Kit Installation / Removal 30</p> <p>Log Set Installation / Removal34</p> <p style="padding-left: 20px;">Intake Air Damper Installation 38</p> <p>Replacement Parts 39</p> <p>Wiring Diagram 40</p> <p>Rating Label 41</p>
--	---



WARNING: This product can expose you to chemicals including ceramic fibers, which are known to the State of California to cause cancer, and carbon monoxide, which is known to the State of California to cause birth defects or other reproductive harm.

For more information go to
www.P65Warnings.ca.gov.

This warning is applicable to all
Pacific Energy Fireplace Products

— Important Note for the Commonwealth of Massachusetts —

From Massachusetts Rules and Regulations 248 CMR 5.08:

- (a) For all side wall horizontally vented gas fuelled equipment installed in every dwelling, building or structure used in whole or in part for residential purposes, including those owned or operated by the Commonwealth and where the side wall exhaust vent termination is less than seven (7) feet above finished grade in the area of the venting, including but not limited to decks and porches, the following requirements shall be satisfied.
1. **INSTALLATION OF CARBON MONOXIDE DETECTORS.** At the time of installation of the side wall horizontal vented gas fuelled equipment, the installing plumber or gas fitter shall observe that a hard wired carbon monoxide detector with an alarm and battery back-up is installed on the floor level where the gas equipment is to be installed, in addition, the installing plumber or gas fitter shall observe that a battery operated or hard-wired carbon monoxide detector with an alarm is installed on each additional level of the dwelling, building or structure served by the side wall horizontal vented gas fuelled equipment. It shall be the responsibility of the property owner to secure the services of qualified licensed professionals for the installation of hard-wired carbon monoxide detectors.
 - a. In the event that the side wall horizontally vented gas fuelled equipment is installed in a crawl space or an attic, the hard-wired carbon monoxide detector with alarm and battery back-up may be installed on the next adjacent floor level.
 - b. In the event that the requirements of this subdivision cannot be met at the time of completion of installation, the owner shall have a period of thirty (30) days to comply with the above requirements; provided, however, that during said thirty (30) day period, a battery operated carbon monoxide detector with an alarm shall be installed.
 2. **APPROVED CARBON MONOXIDE DETECTORS.** Each carbon monoxide detector as required in accordance with the above provisions shall comply with NFPA 720 and be ANSI/UL 2034 listed as IAS certified.
 3. **SIGNAGE.** A metal or plastic identification plate shall be permanently mounted to the exterior of the building at a minimum height of eight (8) feet above grade directly in line with the exhaust vent terminal for the horizontally vented gas fuelled heating appliance or equipment. The sign shall read, in print size no less than one-half (1/2) inch in size, "GAS VENT DIRECTLY BELOW. KEEP CLEAR OF ALL OBSTRUCTIONS"
 4. **INSPECTION.** The state or local gas inspector of the side wall horizontally vented gas fuelled equipment shall not approve the installation unless, upon inspection, the inspector observes carbon monoxide detectors and signage installed in accordance with the provisions of 248 CMR 5.089(2) (a) 1 through 4.
- (b) **EXEMPTIONS.** The following equipment is exempt from 248 CMR 5.089(2)(a) 1 through 4.
1. The equipment listed in Chapter 10 entitled "Equipment Not Required To Be Vented" in the most current edition of NFPA 54 as adopted by the Board; and
 2. Product Approved side wall horizontal vented gas fuelled equipment installed in a room or structure separate from the dwelling, building or structure used in whole or in part for residential purposes.
- (c) **MANUFACTURER REQUIREMENTS – GAS EQUIPMENT VENTING SYSTEM PROVIDED.** When the manufacturer of Product Approved side wall horizontally vented gas equipment provides a venting system design or venting system components with the equipment, the instructions provided by the manufacturer for installation of the equipment and the venting system shall include:
1. Detailed instructions for the installation of the venting system design or the venting system components; and
 2. A complete parts list for the venting system design or venting system.
- (d) **MANUFACTURER REQUIREMENTS – GAS EQUIPMENT VENTING SYSTEM NOT PROVIDED.** When the manufacturer of a Product Approved side wall horizontally vented gas fuelled equipment does not provide the parts for venting the fuel gases, but identifies "special venting systems;" the following requirements shall be satisfied by the manufacturer.
1. The referenced "special venting system" instructions shall be included with the appliance or equipment installation instructions; and
 2. The "special venting systems" shall be Product Approved by the Board, and the instructions for that system shall include a parts list and detailed installation instructions.
- (e) A copy of all installation instructions for all Product Approved side wall horizontally vented gas fuelled equipment, all venting instructions, all parts lists for venting instructions, and/or all venting design instructions shall remain with the appliance or equipment at the completion of the installation.

Caution


FOR YOUR SAFETY - Do not install or operate your Pacific Energy fireplace without first reading and understanding this manual. Any installation or operational deviation from the following instructions voids the Pacific Energy Warranty and may prove hazardous.

This appliance and its individual shut off valve must be disconnected from gas supply piping system during any pressure testing of that system at test pressures in excess of 1/2 psi (3.5 kPa).


This appliance must be isolated from the gas supply piping system by closing its individual manual shut off valve during any pressure testing of the gas supply piping system at test pressures equal to or less than 1/2 psi (3.5 kPa).

Do not use the fireplace if any part has been under water. Immediately call a qualified service technician to inspect the fireplace and to replace any part of the control system and any gas control which has been under water.

This fireplace is equipped with a micro mesh safety screen for your protection and must be installed with the unit. Removal of the safety screen will cause the fireplace to become a burn and fire hazard.



DANGER



HOT GLASS WILL CAUSE BURNS.

DO NOT TOUCH GLASS UNTIL COOLED.

NEVER ALLOW CHILDREN TO TOUCH GLASS.

A barrier designed to reduce the risk of burns from the hot viewing glass is provided with the appliance and shall be installed for the protection of children and other at-risk individuals.

Safety

- Due to high temperatures, this gas appliance should be located out of traffic and away from furniture and draperies.
- Children and adults should be alerted to the hazards of high surface temperatures and should stay away to avoid burns or clothing ignition.
- Young children should be carefully supervised when they are in the same room as the appliance. Toddlers, young children and others may be susceptible to accidental contact burns. A physical barrier is recommended if there are at risk individuals in the house. To restrict access to a fireplace or stove, install an adjustable safety gate to keep toddlers, young children and other at risk individuals out of the room and away from hot surfaces.
- Clothing or other flammable material should not be placed on or near the appliance.
- A barrier designed to reduce the risk of burns from the hot viewing glass is provided with the Surround Kit component and shall be installed.
- If the barrier becomes damaged, the barrier shall be replaced with the manufacturers barrier for this appliance.
- Any grill, panel or door removed for servicing the unit must be replaced prior to operating.
- Installation and repair should be done by a qualified service person. The appliance should be inspected before use and at least annually by a professional service person. More frequent cleaning may be required due to excessive lint from carpeting, bedding material, etc. It is imperative that control compartments, burners and circulating air passageways of the appliance be kept clean.
- This appliance must not be connected to a chimney flue serving a separate solid fuel burning appliance.
- It is our policy that no responsibility is assumed by the Company or by any of its employees or representatives for any damages caused by an inoperable, inadequate, or unsafe condition which is the result, either directly or indirectly, of any improper operation or installation procedures.

WHAT TO DO IF YOU SMELL GAS

- Do not try to light any appliance.
- Do not touch any electrical Switch.
- Do not use any phone in your building.
- Immediately call your gas supplier from a neighbor's phone. Follow the gas supplier's instructions.
- If you cannot reach your gas supplier call the fire department.
- Installation and service must be performed by a qualified installer, service agency or the gas supplier.

Congratulations on your purchase of a Pacific Energy Gas Appliance.

Your fireplace has been professionally installed by:

Dealer name: _____

Phone Number: _____

If you discover any problems with your gas appliance contact your dealer immediately to have the unit repaired.

Caution: Do not attempt to repair the fireplace because you may cause injury to yourself or others, and risk causing damage to the unit.

Before operating your appliance carefully read this manual and pay close attention to all Safety Warnings.

The manual contains important information on the unit's safe operation and maintenance.

First Fire

When lit for the first time, the fireplace will emit a slight odour for a couple of hours. This is due to the curing of paints, sealants, gaskets, and lubricants used in the manufacturing process. This condition is temporary. Open doors and windows to ventilate the area. Odour caused by the curing process may cause discomfort to some individuals.

It is normal for fireplaces fabricated from steel to give off some expansion and/or contraction noises during the start up or cool down cycle. Similar noises are found with your furnace heat exchanger or cook stove oven.

NOTE: Fireplace may take up to 30 seconds to ignite each time the "ON" button has been selected.

Remote Control Operation

System Description

The Proflame 2 Remote Control System consists of two elements:

1. Proflame2 Transmitter.
2. Proflame2 Integrated Fireplace Control (IFC) board and a wiring harness to connect the IFC to the gas valve and stepper motor.

Transmitter (Remote Control with LCD Display)

The Proflame 2 Transmitter uses a streamline design with a simple button layout and informative LCD display Figure 1. The transmitter is powered by 3 AAA type batteries. A Mode key is provided to Index between the features and a Thermostat key is used to turn on/off or index through thermostat functions (Figure 1 and Figure 2).

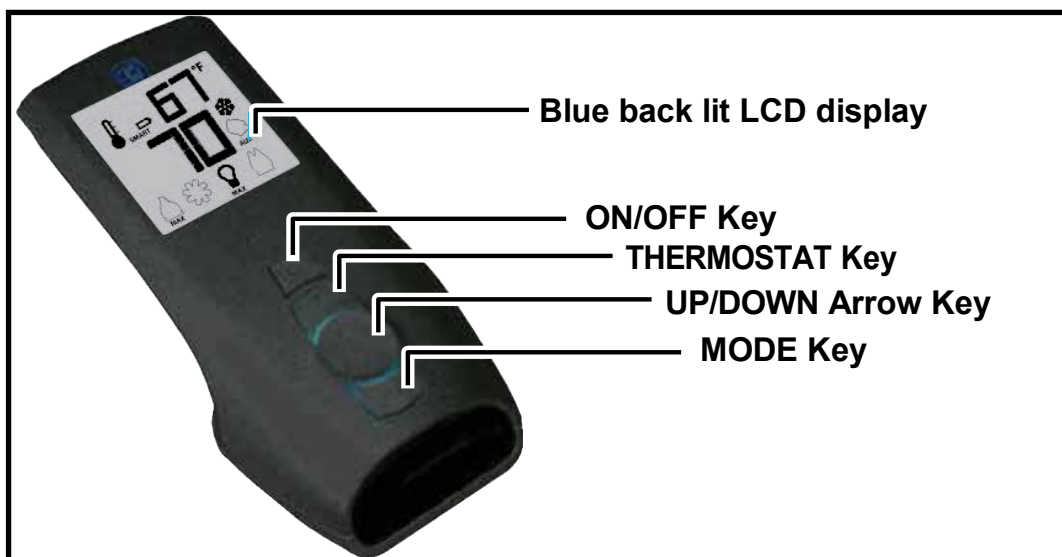


Figure 1: Proflame 2 handset.

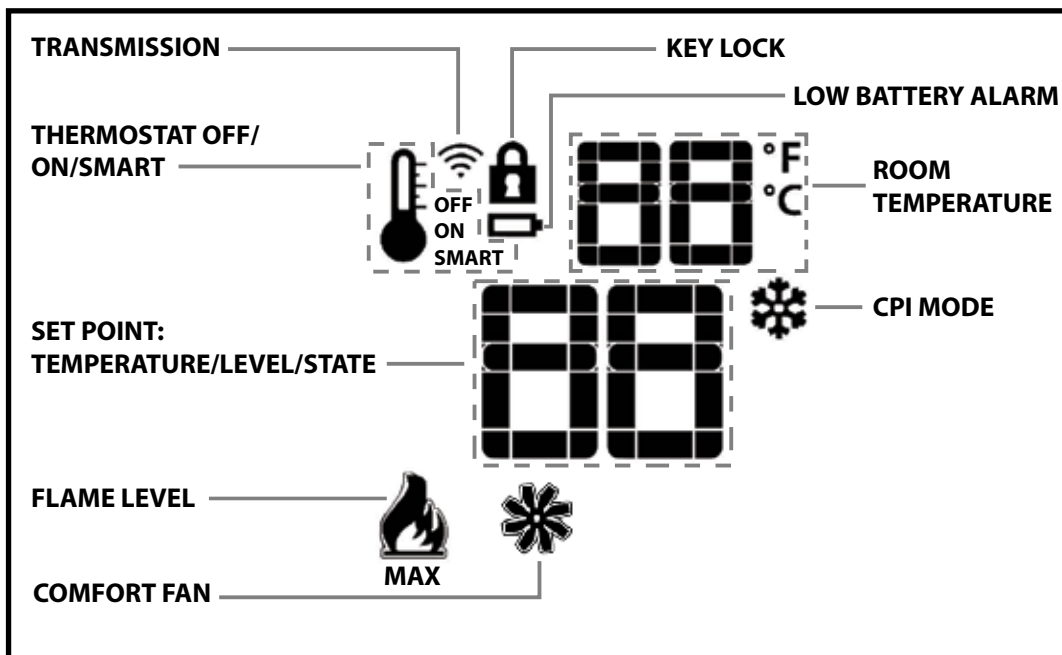


Figure 2: Proflame 2 LCD display.

IFC Module

The Proflame 2 Integrated Fireplace Control (IFC) module (Figure 3) is a device that allows automatic ignition and pilot flame supervision, and commands the functions of the hearth Fireplace. It's configured to control the ON/OFF main burner operation, giving the choice of both IPI (intermittent pilot ignition), and CPI (continuous pilot ignition) modes. The Proflame2 IFC module controls and connects directly to the pilot assembly and the automatic valve using low electric power.

The IFC module can be powered by both an AC power supply, and battery pack for back up. The Proflame 2 offers the added ability to control the comfort fan speed from OFF through six (6) speeds, a remotely actuated auxiliary outlet and a dimmable light outlet. The external batteries can provide DC power to the IFC allowing the batteries to be used only when line power is interrupted or lost, and if the Fireplace does not use a combustion fan.

Operating Procedure

Initializing the System for the first time

1. Install 4 AA batteries into the battery holder (Figure 4) located on the rear side behind the surround below the firebox. Make sure that the selection switch is on the "Remote" setting.
2. Install 3 AAA batteries into the Proflame2 Remote Transmitter (Figure 1).
3. Plug the Esprit power cord in and open the gas supply line.
4. Locate the button marked "PRG" (Program) on the ON/OFF switch (Figure 4) and press the program button once. The module will beep 3 times indicating that it is ready to synchronize with a remote transmitter.
5. On the remote transmitter, push the power on button once. The remote transmitter will beep 4 times to indicate that the remote transmitter and the control module are now synchronized. The remote transmitter is now ready to use.

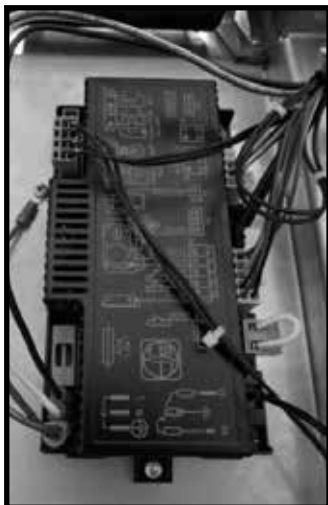


Figure 3: IFC module.

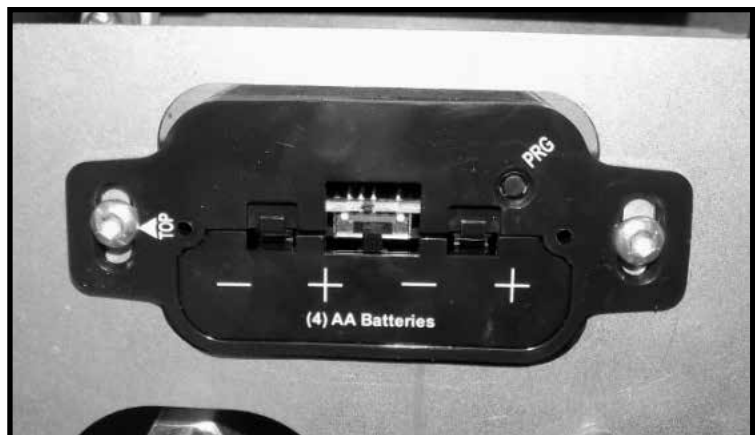


Figure 4: On-off switch.

Temperature indication Display

With the system in the “OFF” position, press the Thermostat Key and the Mode Key at the same time. Look at the LCD screen on the transmitter to verify that a C or F is visible to the right of the Room Temperature display (Figure 5 or Figure 6).

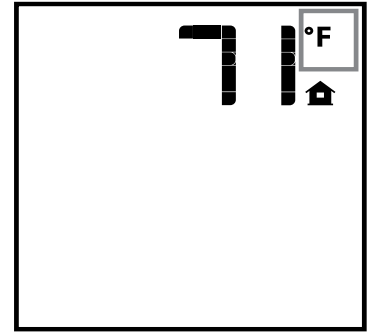


Figure 5: Display in Fahrenheit.

Turn on the Fireplace

With the system OFF, press the ON/OFF Key on the remote transmitter. The remote transmitter display will show some other active icons on the screen. At the same time the Receiver will activate the Heater. A single “beep” from the Receiver (module) will confirm reception of the command.

Turn off the Fireplace

With the system ON, press the ON/OFF Key on the Remote transmitter. The Remote transmitter LCD display will only show the room temperature (Figure 5 or Figure 6). At the same time the Receiver (module) will turn off the Heater. A single “beep” from the Receiver confirms reception of the command.

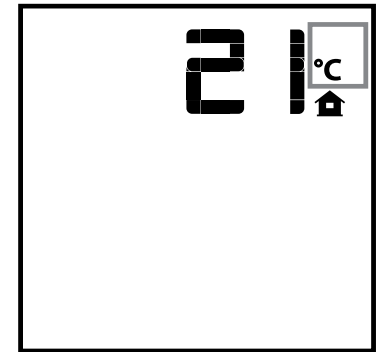


Figure 6: Display in Celcius.

Manual Bypass of the Remote System

If the batteries of the receiver or remote transmitter are low or depleted, the Heater can be turned off manually using ON/OFF switch located on battery box at the rear of the Esprit. This will bypass the remote transmitter.

Key Lock

This function will lock the keys to avoid unsupervised operation. To activate this function, press the MODE and UP keys at the same time. The lock icon will appear (Figure 7). To de-activate this function, press the MODE and UP keys at the same time.

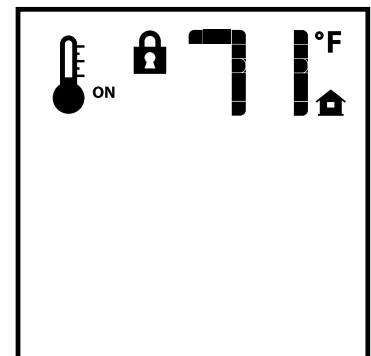


Figure 7: Key lock.

Remote Flame Control

The Proflame2 has six (6) flame levels. With the system turned on, and the flame level at maximum in the Fireplace, press the down arrow key once to reduce the flame height by one step until the flame is turned off.

The up arrow key will increase the flame height each time it is pressed. If the up arrow key is pressed while the system is on but the flame is off, the flame will come on in the high position (Figure 8). A single “beep” will confirm reception of the command.

ROOM THERMOSTAT (Transmitter Operation)

The remote control can operate as a room thermostat. The thermostat can be set to a desired temperature to control the comfort level in a room.

To activate this function, press the thermostat key (Figure 1). The LCD display on the remote transmitter will change to show that the room thermostat is “ON” and the set temperature is now displayed (Figure 9). To adjust the set point, press the up or down arrow keys until the desired set point temperature is displayed on the LCD screen of the remote transmitter.

Smart Thermostat (Transmitter Operation)

The Smart Thermostat function adjusts the flame height in accordance to the difference between the set point and the room temperatures. As the room temperature gets closer to the set point, the Smart Function will modulate the flame down. If the room temperature is cool the Smart function will modulate the flame up.

To activate this function, press the THERMOSTAT key (Figure 1) until the word “SMART” appears to the right of the temperature bulb graphic (Figure 10). To adjust the set point, press the up or down arrow keys until the desired set point temperature is displayed on the LCD screen of the remote transmitter (Figure 11).

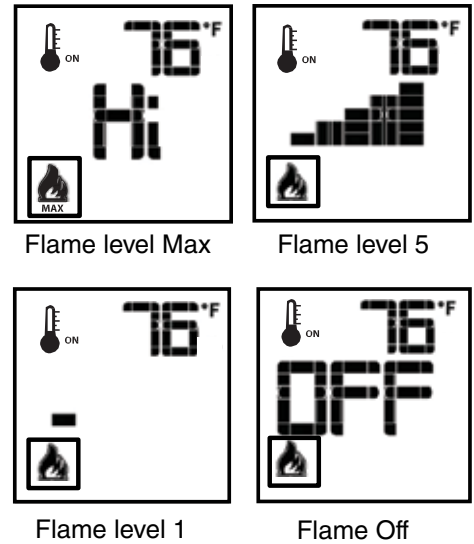


Figure 8: Flame level control.

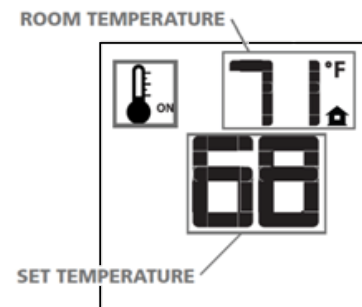


Figure 9: Room temperature control.

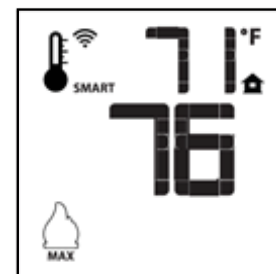


Figure 10: Smart flame control.

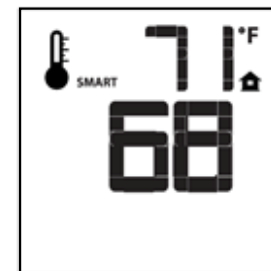


Figure 11: Smart flame function set low.

Comfort Fan Speed Control

If the fireplace is equipped with a hot air circulating fan, the speed of the fan can be controlled by the Proflame system. The fan speed can be adjusted through six (6) speeds. To activate this function use the Mode Key (Figure 1) to index to the fan control icon (Figure 12). Use the Up/Down Arrow Keys (Figure 1) to turn on, off or adjust the fan speed (Figure 12). A single “beep” will confirm reception of the command.

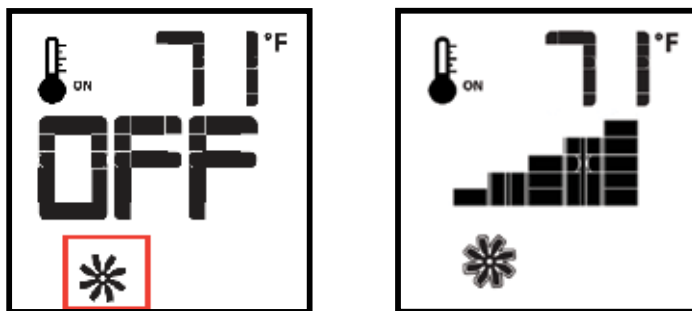


Figure 12: Comfort fan control.

Continuous Pilot/Intermittent Pilot (CPI/IPI) selection

With the system in “OFF” position press the Mode Key (Figure 1) to index to the CPI mode icon (Figure 13). Pressing the Up Arrow Key will activate the Continuous Pilot Ignition mode (CPI). Pressing the Down Arrow Key will return to IPI. A single “beep” will confirm the reception of the command.

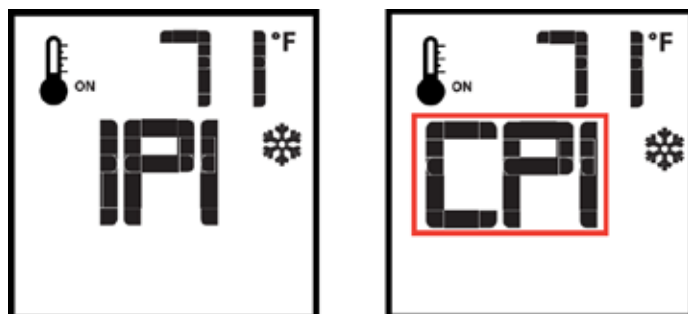


Figure 13: IPI CPI Selection.

LOW BATTERY POWER DETECTION

Transmitter

The life span of the remote control batteries depends on various factors: quality of the batteries used, the number of ignitions of the appliance, the number of changes to the room thermostat set point, etc.

When the Transmitter batteries are low, a Battery Icon will appear on the LCD display of the Transmitter (Figure 14) before all battery power is lost. When the batteries are replaced this Icon will disappear.

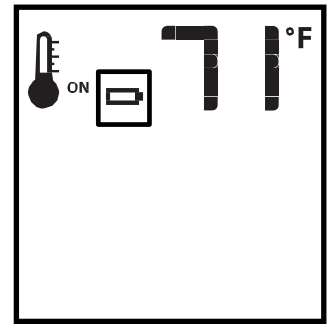


Figure 14: Low battery icon.

Receiver

The life span of the IFC batteries depends on various factors: quality of the batteries used, the number of ignitions of the appliance and the number of changes to the room thermostat set point, etc. When the IFC batteries are low, a “double-beep” will be emitted from the IFC board when it receives a command from the transmitter. This is an alert for a low battery condition for the IFC board. When the batteries are replaced the “beep” will be emitted from the IFC board when a key is pressed. See “Initializing the System for the first time” on page 8.

Warnings and Cautions

WARNING

Fire Hazard. Can cause severe injury or death

The Receiver causes ignition of the appliance. The appliance can turn on suddenly. Keep away from the appliance burner when operating the remote system or activating manual bypass of the remote system.

WARNING

Shock Hazard. Can cause severe injury or death

This device is powered by line voltage. Do not try to repair this device. In no way is the enclosure to be tampered with or opened. Disconnect from line voltage before performing any maintenance.

Maintenance

Turn off gas and electrical power supply (if applicable) and allow ample time for unit to cool before servicing appliance. It is recommended that the fireplace and its venting should be inspected at least once a year by a qualified service person.

Glass Door:

Warning: Do not operate fireplace with glass door removed, cracked or broken. Replacement of the glass door should be done by a licensed or qualified service person. Check glass panel gasket, replace if necessary. It is important that the glass seal be maintained in good condition.

Do not strike or otherwise impact the glass in any way that may cause it to break. If the glass becomes cracked or broken it must be replaced before using the fireplace. Replacement door can be obtained from your nearest Pacific Energy dealer. Do not substitute with any other type. To remove broken glass, remove Door as noted in "Door Removal" section.

Annual Inspection:

- a) Remove glass door and decorative media (such as logs and rocks). Inspect decorative media and burner assemblies for soot buildup. If excessive buildup of soot is present, have a qualified service person inspect and adjust unit for proper combustion. Clean burners with a brush or vacuum cleaner, paying close attention to burner ports.
- b) Check the pilot system for proper flame size and operation. Clean pilot free (Figure 15) of soot, dust or any other deposits.
- c) Check that the vent pipe and vent terminal are open and free from blockage or debris. If the venting is disassembled for cleaning, it must be properly assembled and re-sealed. Refer to VENTING section for proper procedure.
- d) Check and replace batteries as needed.

Note: The appliance area must be kept clear and free from combustible materials, gasoline and other flammable vapors and liquids.

Periodically:

- a) Viewing glass may be cleaned as necessary with fireplace glass cleaner.
- b) Exterior finish may be cleaned with mild soap and water.

CAUTION: Do not use abrasive cleaners on glass or any other part of the fireplace.

Do not clean glass when hot.

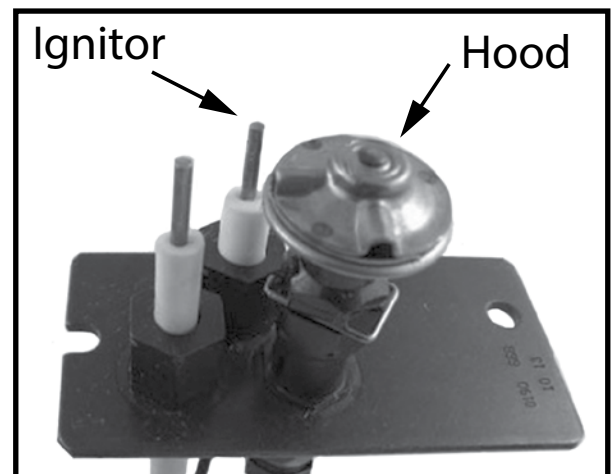


Figure 15: Esprit pilot assembly.

Lighting Instructions

FOR YOUR SAFETY READ BEFORE LIGHTING

WARNING: If you do not follow these instructions exactly, a fire or explosion may result causing property damage, personal injury or loss of life.

- A. This appliance is equipped with an ignition device which automatically lights the pilot. Do not try to light the pilot by hand.
- B. BEFORE LIGHTING smell all around the appliance area for gas. Be sure to smell next to the floor because some gas is heavier than air and will settle on the floor.
- WHAT TO DO IF YOU SMELL GAS:**
- Do not try to light any appliance.
 - Do not touch any electric switch; do not use any phone in your building.

- Immediately call your gas supplier from a neighbour's phone. Follow the gas supplier's instructions.
 - If you cannot reach your gas supplier, call the fire department.
- C. Use only your hand to push in or turn the gas control knob. Never use tools. If the knob will not push in or turn by hand, don't try to repair it, call a qualified service technician. Force or attempted repair may result in a fire or explosion.
- D. Do not use this appliance if any part has been under water. Immediately call a qualified service technician to inspect the appliance & to replace any part of the control system & any gas control which has been under water.

LIGHTING INSTRUCTIONS

1. STOP! Read the safety information above on this label.
2. This appliance is equipped with an ignition device which automatically lights the pilot. Do not try to light the pilot by hand.
3. Push the "On/ Off" switch to turn the fireplace ON.
 - If the burner does light go to step 6.
 - If the burner does not light, complete steps 4 through 5.
 - If the burner will not light or stay lit after several tries, push the "On/ Off" switch for the fireplace to OFF, turn off all electric power

- to the fireplace and call your service technician or gas supplier.
- Note: Sufficient time must be allowed for air to escape from lines if the unit is being lit for the first time.
4. Push the "On/ Off" switch to the fireplace Off.
 5. Allow sufficient length of time (minimum 5 minutes) for any gas in the combustion chamber to escape. If you still smell gas, STOP! Follow "B" in the safety information above on this label. If you don't smell gas, go to step 3.
 6. Set fireplace to desired setting by using hand held remote.

TO TURN OFF GAS APPLIANCE

1. Push the "on/ off" switch to the "Off" position.

2. Turn off all electric power to the appliance and remove backup batteries if service is to be performed or for extended shutdown.

Due to high surface temperatures, keep children, clothing and furniture away. Keep burner and control compartment clean. See installation and operating instructions accompanying the appliance.

A cause de la température élevée des parois, tenir éloignés les enfants, les vêtements et les meubles. Maintenir propres le brûleur et le compartiment de commande. Voir les instructions relatives à l'installation et au fonctionnement qui accompagnent l'appareil.

CAUTION: Hot while in operation. Do not touch. Severe burns may result. Keep children, clothing, furniture, gasoline and other liquids having flammable vapours away. Keep burner and control compartment clean. See installation and operating instructions accompanying the appliance.

ATTENTION: L'appareil est chaud lorsqu'il fonctionne. Ne pas toucher l'appareil. Risque de brûlures graves. Surveiller les enfants. Garder les vêtements, le meubles, l'essence ou autres liquides produisant des vapeurs inflammables loin de l'appareil. S'assurer que le brûleur et le compartiment des commandes sont propres. Voir les instructions d'installation et d'utilisation qui accompagnent l'appareil.

Fireplace Dimensions

The installation must conform with local codes or, in the absence of local codes, with the National Fuel Gas Code, ANSI Z223.1/NFPA 54, or the National Gas and Propane Installation Code, CSA B149.1

A manufactured home (USA only) or mobile home OEM installation must conform with the Manufactured Home Construction and Safety Standard, Title 24 CFR, Part 3280, or, when such a standard is not applicable, the Standard for Manufactured Home Installations, ANSI/NCSCBS A225.1, or standard for Gas Equipped Recreational Vehicles and Mobile Housing, CSA Z240.4

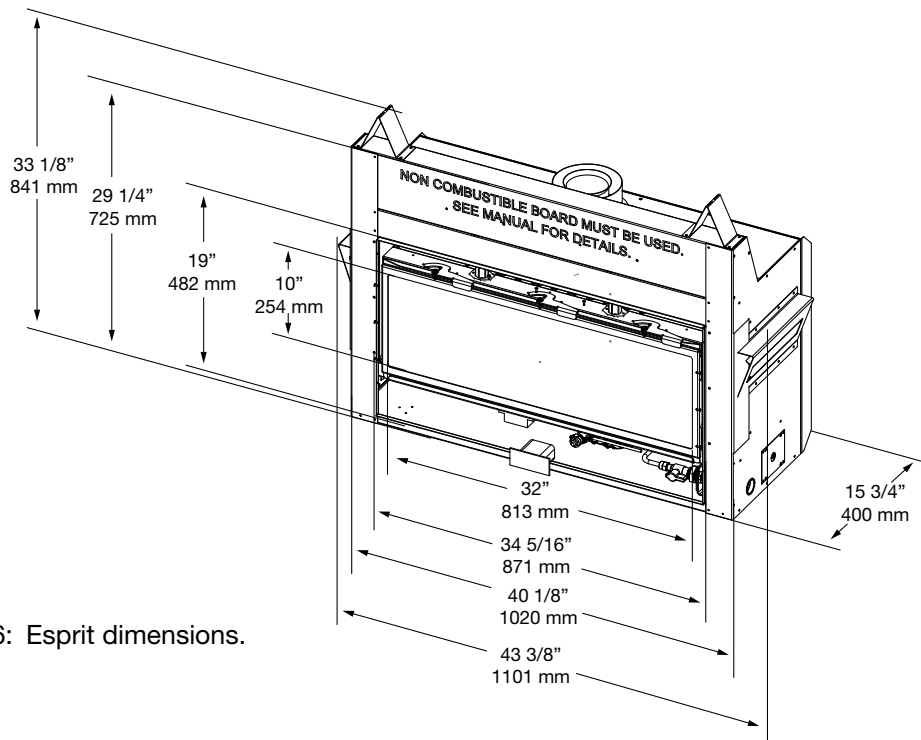


Figure 16: Esprit dimensions.

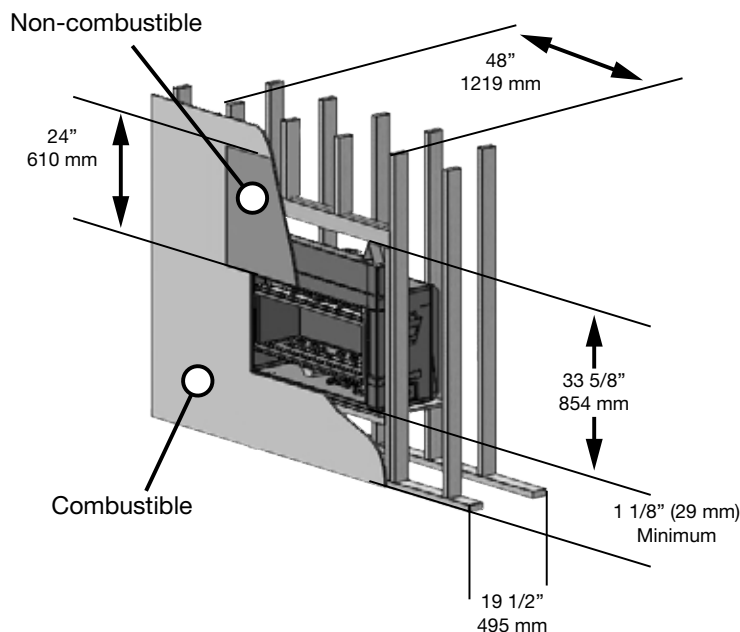


Figure 17: Framing and finishing dimensions.

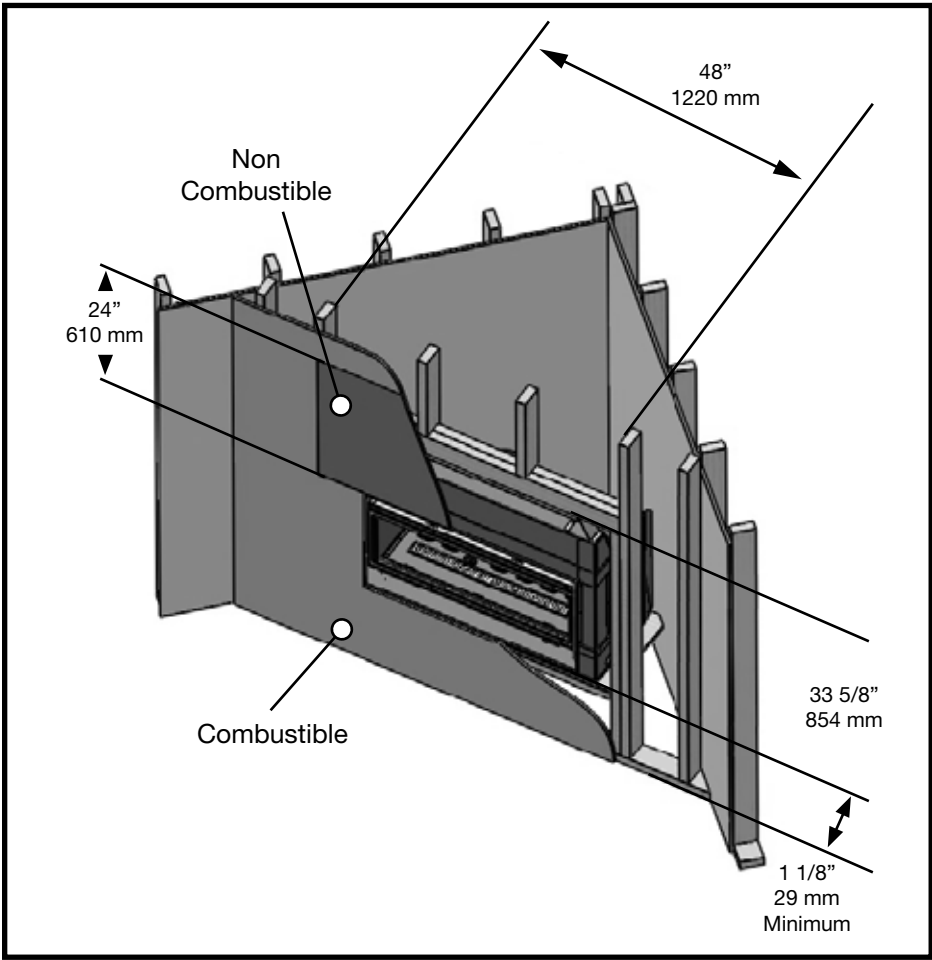


Figure 18: Framing at the corner.

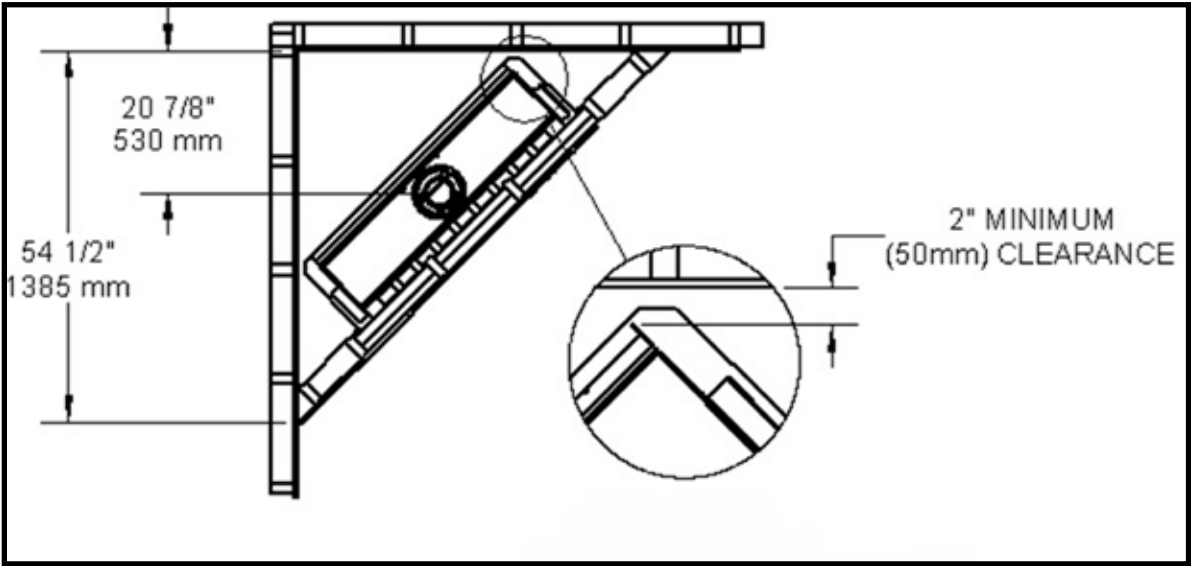


Figure 19: Minimum clearance corner framing.

Clearances to Combustibles

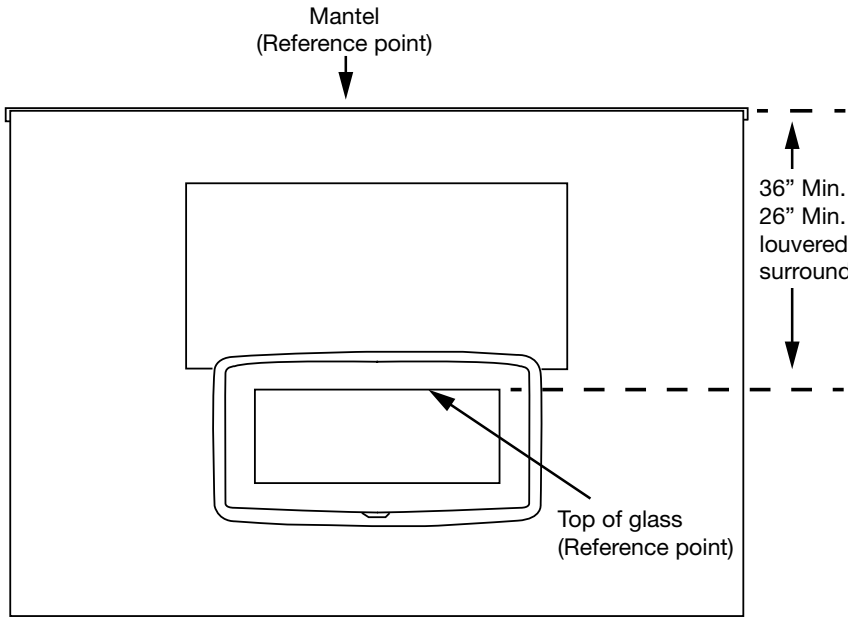


Figure 20: Minimum distance from top of the glass to ceiling.

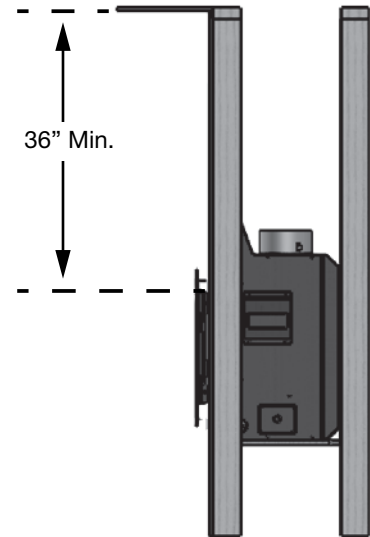


Figure 21: Front and side dimensions.

Front of the appliance is an open side of the combustion chamber covered with the glass.

Facing the front of the appliance side from left is the left side of the appliance and side from right is the right side of the appliance.

Minimum Clearance to Combustible Materials

ENCLOSED SIDE WALL	1.75"
ENCLOSED BACK WALL	NCR*
ENCLOSED CEILING	4"
ENCLOSED FRONT WALL	24" From top of the glass
EXPOSED SIDE WALL	8" From side of the glass
VENT ENCLOSURE	1"
EXTERIOR SOFIT	16"

*NCR STANDS FOR NO CLEARANCE REQUIRED; YOU MAY USE COMBUSTIBLE CONSTRUCTION MATERIALS IN DIRECT CONTACT WITH THE APPLIANCE ON THESE SURFACES.

When the appliance is installed directly on carpeting, tile or other combustible material other than wood flooring, the appliance shall be installed on a metal or wood panel extending the full width and depth of the appliance. Specified clearances shall be maintained from the top surface of carpeting, tile, etc.

Locating the Fireplace

In planning the installation for the fireplace, it is necessary to determine where the unit is to be installed, location of vent system and where gas supply piping may be plumbed. Various installations are possible, such as, into an existing wall, a corner, a built in wall or a wall projection. Due to high temperatures, do not locate this fireplace in areas of high traffic or near furniture or draperies. For places where a second side wall is specified, fireplace should be accessible for service

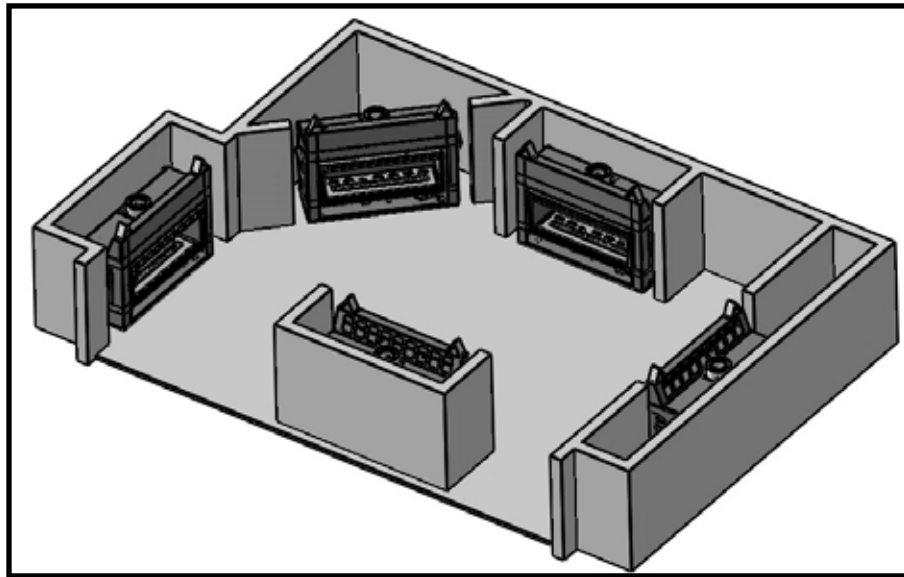


Figure 22: Common installation options.

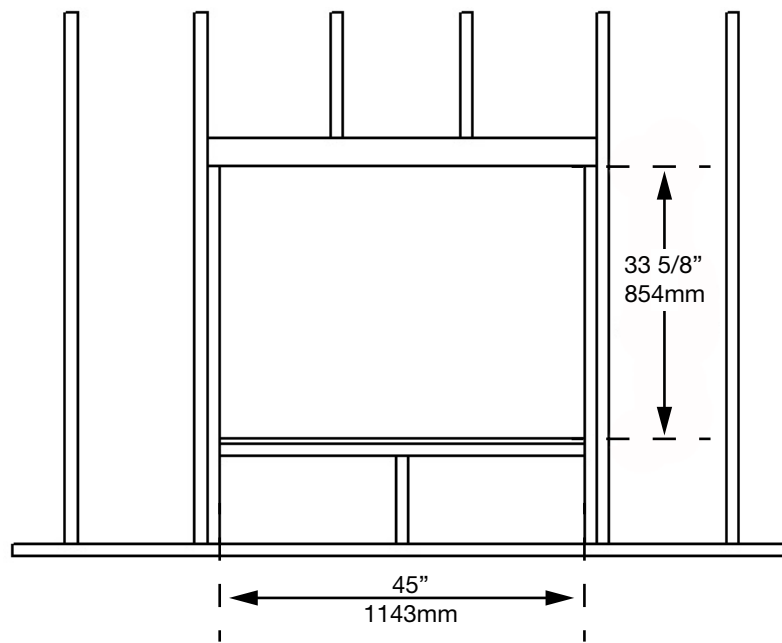


Figure 23: Framing dimensions.

Surround Installation Instructions

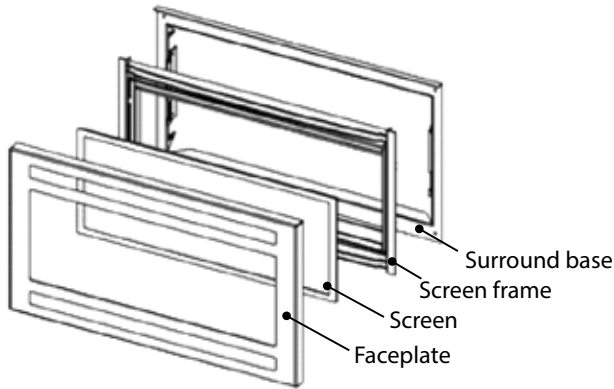


Figure 24: Louvered surround.

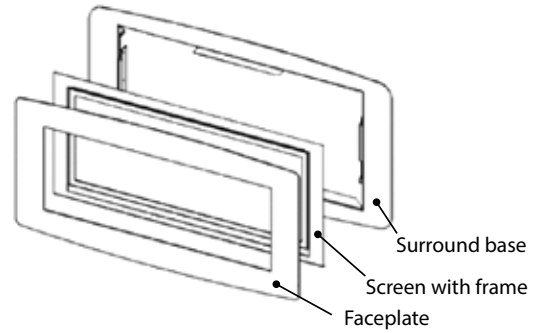


Figure 25: Clean face surround.

Installation

1. Fasten the surround base to the fireplace using supplied screws and mounting holes located along the inner edge of the base.
2. Install screen with the frame in slots on inner side of the surround base.
3. Install the surround front by positioning it so as to clear the notches and secure by applying downward pressure in order to engage the locking tabs.

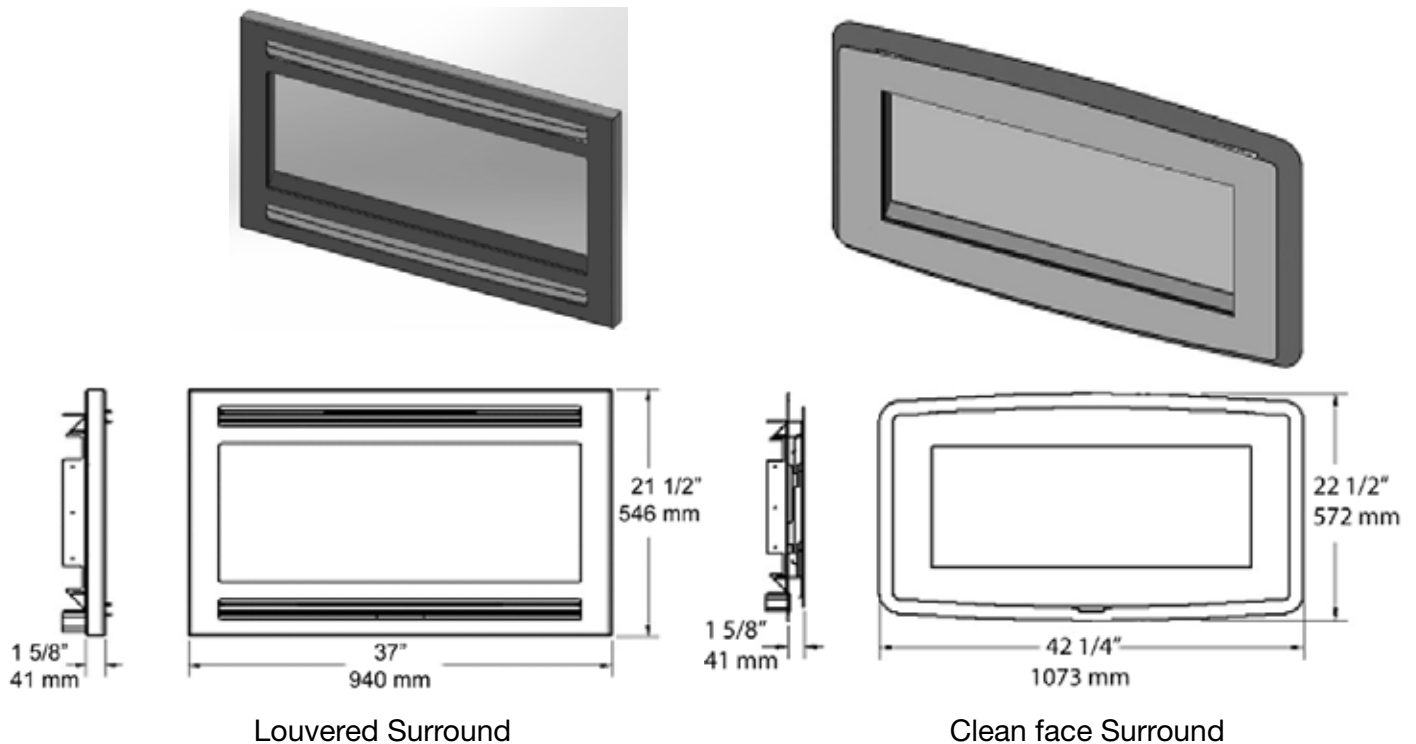


Figure 26: Surround dimensions.

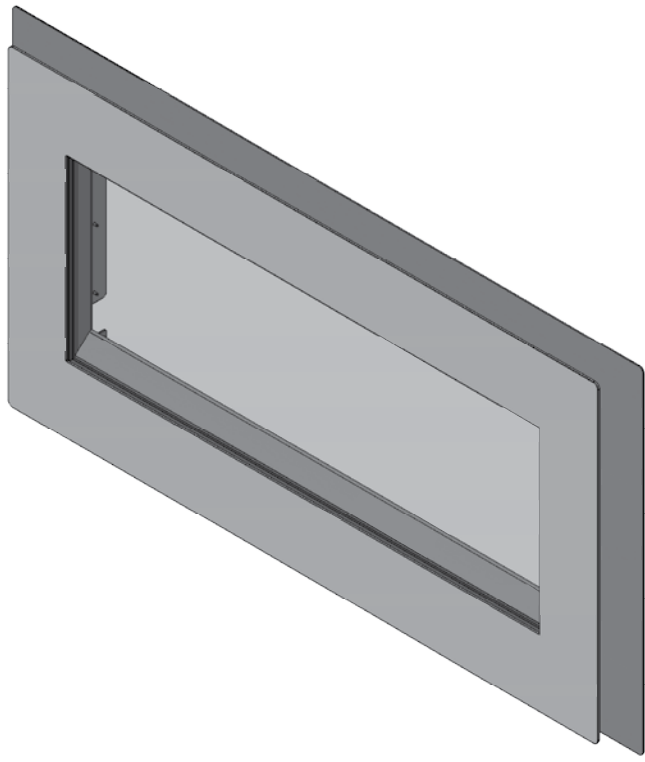


Figure 27: Straight edge.

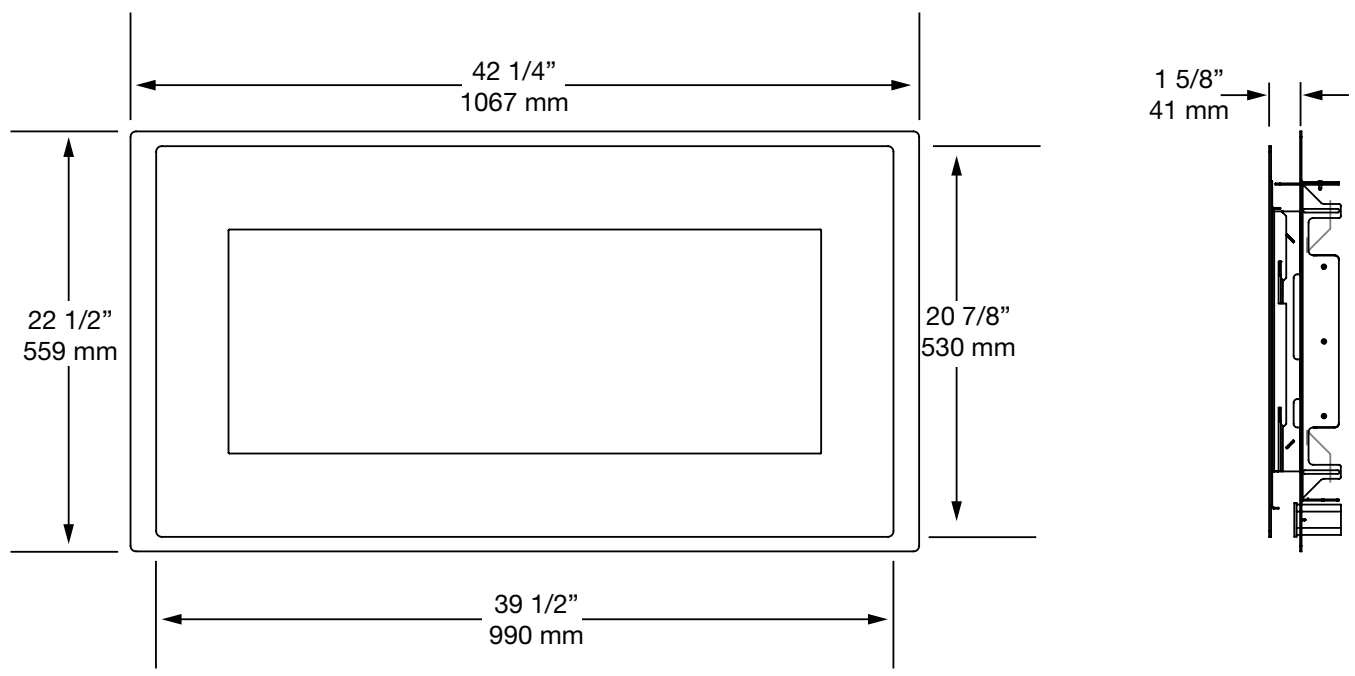
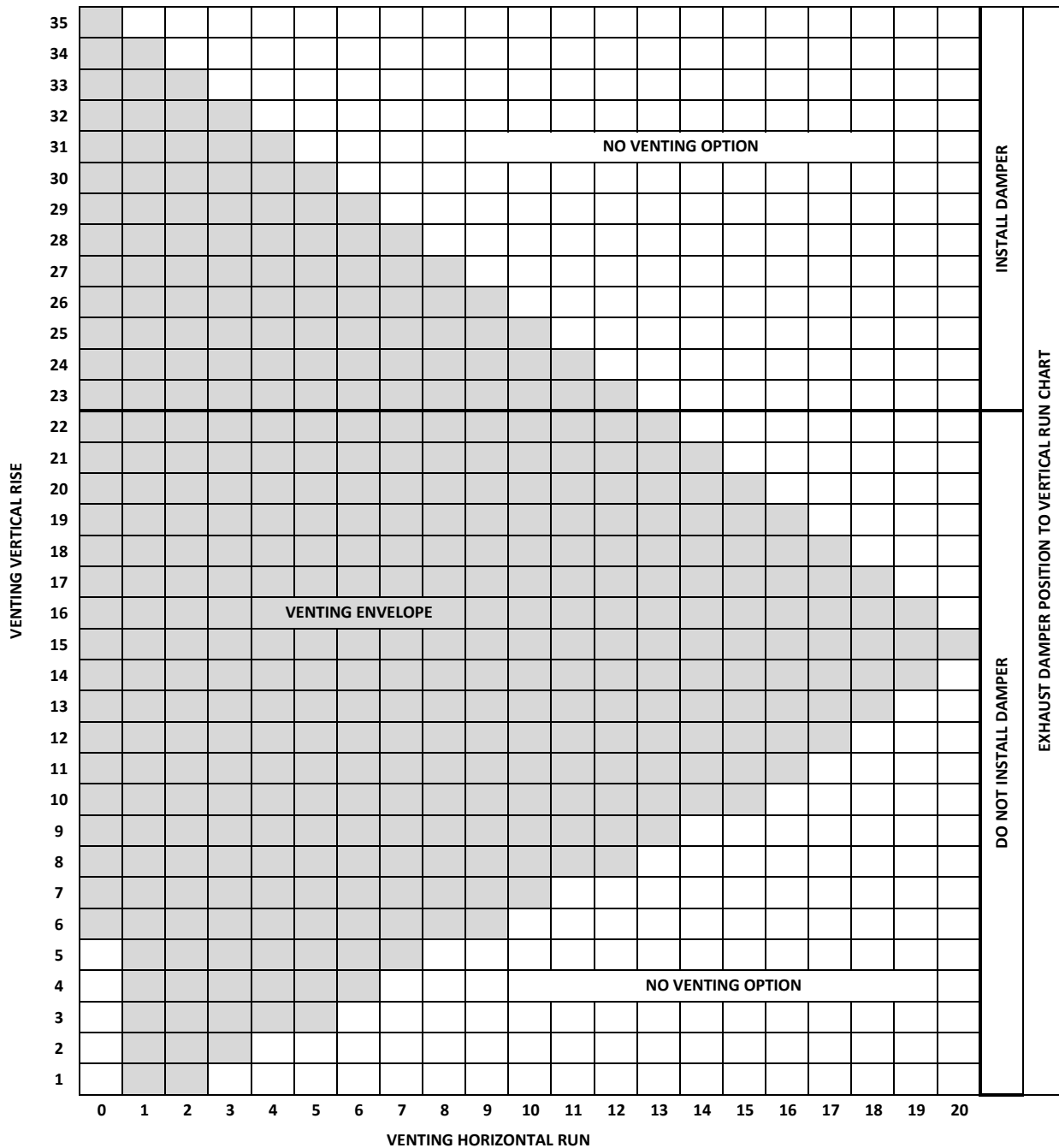


Figure 28: Esprit straight edge surround dimensions.

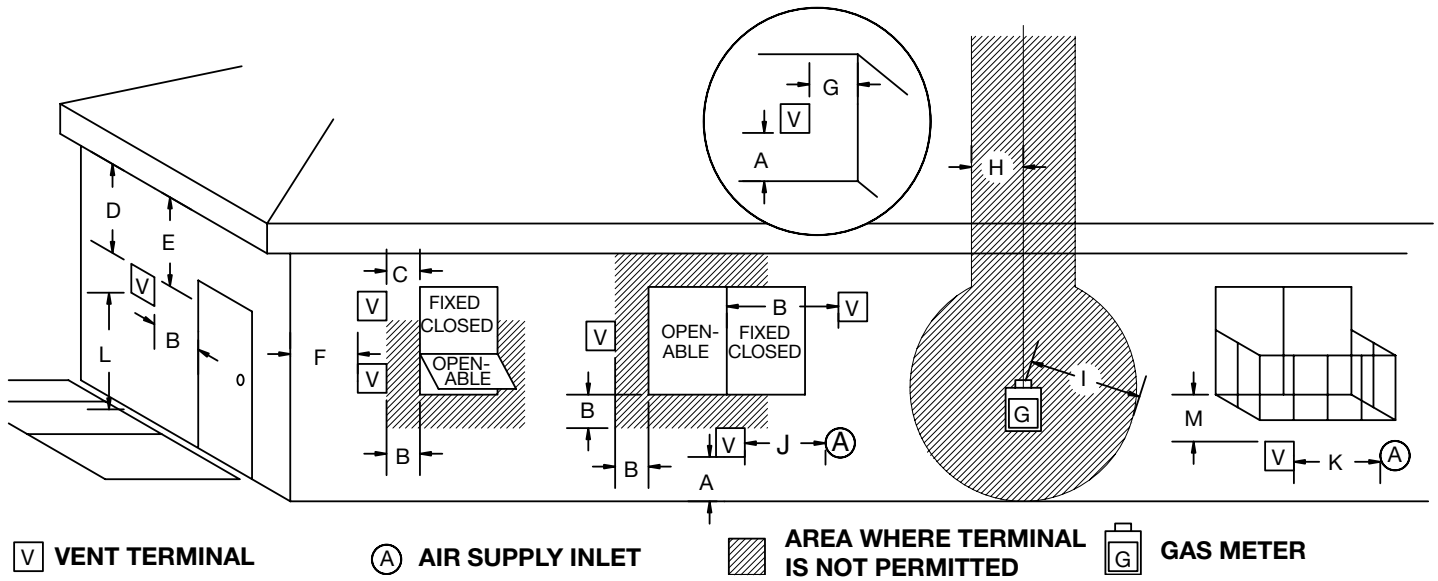
ESPRIT LINEAR FIREPLACE VENTING CHART



Note: The intake damper positions specified in this chart were set in a controlled testing environment, and serve as a general guideline for installations. Every venting configuration is different, and the damper setting may need slight adjustment from this chart.

Note: The vent must not exceed a total length of 35 feet. Any combination of rise and run may be used but must be constrained to the boundaries of this chart. A Maximum of three 90° elbows may be used. Only one (1) 90° elbow or combination of other elbows equalling 90° can be used without reducing horizontal run. For each additional 90° elbow, or an equal combination of elbows, reduce horizontal vent run by 2 feet. Ensure vent pipe is properly supported.

Vent Terminal Minimum Clearances



A=	*12 inches (30 cm) min.	Clearances above grass, top of plants, wood, combustible veranda, porch, deck, or balcony.
B=	*12 inches (30 cm) min.	Clearance beside or below a window or door that may be opened.
C=	12 inches (30 cm) min.	Clearance to permanently closed window recommended to prevent condensation on window.
D=	16 inches (40 cm) min.	Vertical clearance to ventilated soffit located above the terminal within a horizontal distance of 16 inches (40 cm).
E=	16 inches (40 cm) min.	Clearance to unventilated soffit.
F=	6 inches (15 cm) min.	Clearance to outside corner.
G=	6 inches (15 cm) min.	Clearance to inside corner.
H=	3 feet (90 cm) min.	*Not to be installed above a meter/regulator assembly within 3feet (90 cm) horizontally from the center-line of the regulator.
I=	*6 feet (1.8 m) min.	Clearance to service regulator vent outlet.
J=	*12 inches (30 cm) min.	Clearance to non mechanical air supply inlet to building or the combustion air inlet to any other appliance.
K=	*6 feet (1.8 m) min.	Clearance to a mechanical air supply inlet.
L=	*7 feet (2.1 m) min.	^ Clearance above paved side-walk or a paved driveway located on public property
M=	**16 inches (40 cm) min.	Clearance under veranda, porch, deck, or balcony

^ a vent shall not terminate directly above a side-walk or paved driveway which is located between two single family dwellings and serves both dwellings*

** only permitted if veranda, porch, deck, or balcony is fully open on a minimum of 2 sides beneath the floor*

* as specified in CGA B149 Installation Codes, Note: local Codes or Regulation may require different clearances

* for U.S.A. Installations follow the current National Fuel Gas Code, ANSI Z223.1



This fireplace is certified for use with 4" x 6-5/8" coaxial venting components only. It is permitted to only use certified venting for this appliance.

Venting Components

NOTE: Mixing venting components from different manufacturers is inadvisable.

Description	ICC EXCELDirect®		Metal-Fab® Sure-Seal		Security Secure Vent™		Selkirk Direct-Temp™		DuraVent DirectVent Pro®	
	Galvanized	Black	Galvanized	Black	Galvanized	Black	Galvanized	Black	Galvanized	Black
6" Pipe Length	4DL6	4DL6B	4D6	4D6B	SV4L6	SV4LB6	4DT-06	4DT-06B	46DVA-06	46DVA-06B
9" Pipe Length	N/A	N/A	N/A	N/A	N/A	N/A	4DT-09	4DT-09B	46DVA-09	46DVA-09B
12" Pipe Length	4DL1	4DL1B	4D12	4D12B	SV4L12	SV4LB12	4DT-12	4DT-12B	46DVA-12	46DVA-12B
18" Pipe Length	N/A	N/A	4D18	4D18B	N/A	N/A	4DT-18	4DT-18B	46DVA-18	46DVA-18B
24" Pipe Length	4DL2	4DL2B	4D24	4D24B	SV4L24	SV4LB24	4DT-24	4DT-24B	46DVA-24	46DVA-24B
36" Pipe Length	4DL3	4DL3B	4D36	4D36B	SV4L36	SV4LB36	4DT-36	4DT-36B	46DVA-36	46DVA-36B
48" Pipe Length	4DL4	4DL4B	4D48	4D48B	SV4L48	SV4LB48	4DT-48	4DT-48B	46DVA-48	46DVA-48B
60" Pipe Length	N/A	N/A	N/A	N/A	N/A	N/A	N/A	N/A	46DVA-60	46DVA-60B
Adjustable Length (< 12")	4DLT	4DLTB	4DAL	4DALB	SV4LA SV4LA12	SV4LB SV4LB12	4DT-AJ12	4DT-AJ12B	46DVA-08A	46DVA-08AB
Adjustable Length (> 12")	N/A	N/A	N/A	N/A	SV4LA24	SV4LB24	N/A	N/A	46DVA-16A	46DVA-16AB
Telescopic Pipe	N/A	N/A	N/A	N/A	N/A	N/A	4DT-TL14 4DT-TL38	4DT-TL14B 4DT-TL38B	46DVA-17TA 46DVA-24TA	46DVA-17TAB 46DVA-24TAB
45° Elbow	4DE45	4DE45B	N/A	N/A	N/A	SV4EBR45	4DT-EL45	4DT-EL45B	46DVA-E45	46DVA-E45B
45° Elbow (Swivel)	N/A	N/A	4D45L	4D45LB	SV4E45	SV4EB45	N/A	N/A	N/A	N/A
90° Elbow	4DE90	4DE90B	N/A	N/A	N/A	SV4EBR90	4DT-EL90S	4DT-EL90SB	46DVA-E90	46DVA-E90B
90° Elbow (Swivel)	N/A	N/A	4D90L	4D90LB	SV4E90	SV4EB90	N/A	N/A	N/A	N/A

Figure 29: 4"x 6-five eights" Rigid Piping Cross Reference Chart.

Description	ICC EXCELDirect®	Metal-Fab® Sure-Seal	Security Secure Vent™	Selkirk Direct-Temp™	DuraVent DirectVent Pro®
Ceiling Support	4CS	4DSP	SV4SD	4DT-CS	46DVA-DC
Cathedral Support Box	4SS	4DRS	SV4CSB	4DT-CSS	46DVS-CS
Wall Support	4WS	4DWS	SV4BM	4DTWS/B	46DVA-WS
Offset Support	4OS	N/A	SV4SU	4DT-OS	46DVA-ES
Wall Thimble	4WT	4DWT	SV4RSM	4DT-WT	46DVA-WT
Firestop Spacer	4CS	4DFS	SV4BF	4DT-FS	46DVA-FS
Trim Plate	4TP	4DCP	SV4PF	4DT-TP	N/A
Attic Insulation Shield	4AS	N/A	SV4RSA	4DT-AIS	46DVA-IS
Storm Collar	4SC	4DSC	SV4FC	4DT-SC	46DVA-SC
Flat Roof Flashing	4F	N/A	SV4F	4DT-AF6	46DVA-FF
Adjustable Flashing (0/12 - 6/12)	4FA	4DF	SV4FA	4DT-AF6	46DVA-F6
Adjustable Flashing (6/12 - 12/12)	4FB	4DF-12	SV4FB	4DT-AF12	46DVA-F12
Vinyl Siding Standoff	4VSS	4DVS	SV4VS	4DT-VS	46DVA-VSS
High Wind Vertical Cap	4VT	N/A	N/A	N/A	46DVA-VCH
High Wind Horizontal Cap	4DHT	N/A	N/A	N/A	46DVA-HSCH
Horizontal Termination Cap	4HT	4DHT	SV4CHC	4DT-HC	46DVA-HC
Vertical Termination Cap	4VT	4DVT	SV4CGV	4DT-VT	46DVA-VC
Snorkel Termination Cap	4ST14 4ST36	4DST14 4DST36	SV4STC14 SV4STC36	4DT-ST14 4DT-ST36	46DVA-SNK14 46DVA-SNK36
Horizontal Termination Kit	4HTK	4DHTKA 4DHTKB	SV0HK SV0HK2	4DT-HKA 4DT-HKB	46DVA-KHA 46DVA-KHC
Vertical Termination Kit	N/A	4DHTK	SV0FK SV0FAK / SV0FBK	4DT-VKC	N/A

Figure 30: 4"x6-five eights" Rigid Pipe Components Cross Reference Chart.



Figure 31: Gas connection.

Gas connection

To make the required electrical and gas connections, start by positioning the gas fireplace. Connect the gas supply line to the 1/2" fitting that located on a shut off valve bracket as seen in Figure 31. A gas shut off valve is located inside the fireplace and may be accessed by removing the inner firebox unit. Please see the gas supply section for requirements of the gas supply.

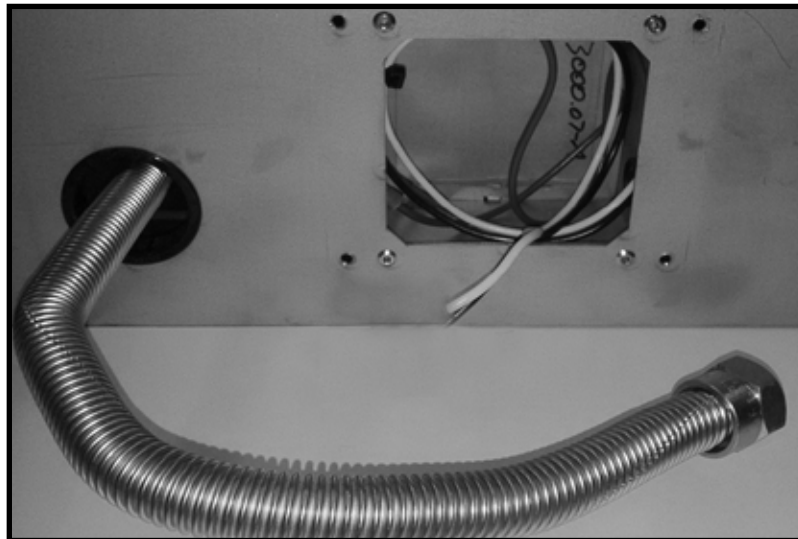


Figure 32: Electrical connection.

Electrical connection

Open the access panel as seen in Figure 32 and connect the line wires to the supplied wires inside the junction box using marrettes. A licensed electrician must be used to make this connection.

Gas Supply

Servicing of the appliance can be performed from the front of the unit by removing the door and the burner tray from the unit.

Caution: The gas line should be installed by a qualified service person in accordance with all building codes. This section is intended as a guide for qualified technicians installing this appliance. Consult local and/or national building codes before proceeding.

- Gas supply line connection is located on the side of the fireplace. Gas connection accepts a 1/2" NPT fitting. Correct gas line diameter must be used to assure proper operation and pressure.
- The fireplace input rating is shown in the chart below.
- A drip leg must be installed in the gas supply line going to the gas control valve to minimize the possibility of any loose scale or dirt within the gas supply line from entering the control valve.

Check local codes for additional requirements.

Turn on the gas supply and check that all connections are tight and leak free.

WARNING: The gas tray including gasket must be reinstalled after conversion/installation or servicing has been completed.

Gas Pressure Check

Please refer to See "Gas Pressure Testing Procedure" on page 26 for gas pressure testing procedure.

Gas pressure requirements		
Input Pressure	Natural Gas	Propane
Minimum	5.0" WC	12.5.0" WC
Maximum	13.9" WC	13.9" WC
Manifold Pressure		
High	3.5" WC	10" WC
Low	1.6" WC	6.4" WC

Gas	Orifice	Output	AFUE
NG	EN	30,000 btu/hr max. 22,000 btu/hr min.	75%
LP	EP	26,000 btu/hr max. 22,000 btu/hr min.	76%

Gas Pressure Testing Procedure

Note: To test the gas pressure, turn off the gas supply to the appliance before loosening test point screws.

Verify gas pressures with the fireplace lit and at the highest setting.

1. Remove window surround and locate the valve as seen in Figure 33.
2. Locate the inlet and outlet test ports on the valve which can be seen in (Figure 34). After locating test ports loosen the screws within the ports using a flat-tip screwdriver.
3. Attach pressure gauge to the test ports.
4. Turn gas supply back on and test pressures.
5. After testing is finished turn off gas supply, remove the pressure gauges and tighten up the screws in the test points.

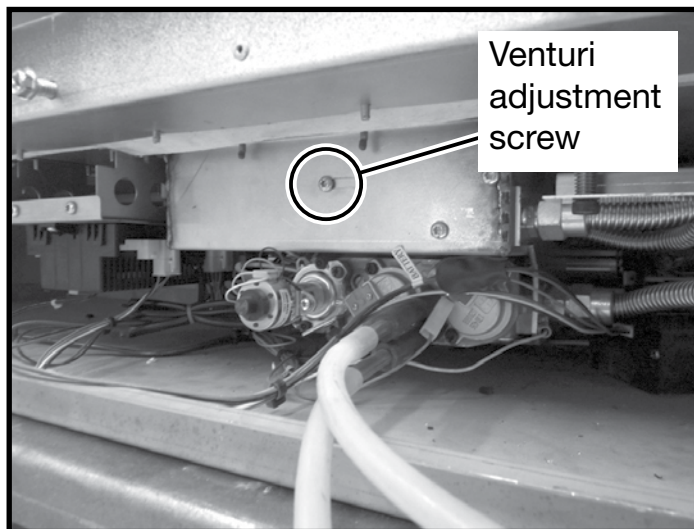


Figure 33: Gas valve location.

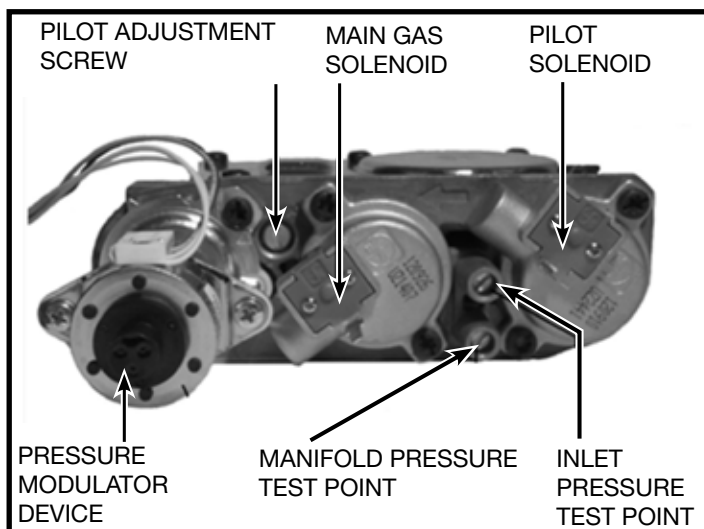


Figure 34: Gas control valve.

Propane Conversion

Before starting the conversion make sure to shut off the gas supply to the unit and allow fireplace to cool to room temperature.

To convert the gas fireplace from natural gas to propane the kit is required. This kit comes with new pilot and burner orifices as well as a new pressure modulator for the valve.

To switch the pressure modulator, follow the instructions that are provided with the conversion kit.

To change the orifices you are required to remove the door, media set, and burner. Please refer to the appropriate sections of this manual and follow instructions on how to correctly remove the components.

After removing the burner you will have access to the burner orifice which is located on the bottom of the burner tray, as seen in Figure 35. The orifice can be removed using a 1/2" socket. Before installing the new orifice, Thread Sealant needs to be applied to the threads of the new orifice to ensure a proper seal when installed.

To replace the pilot orifice you will need to remove the pilot hood which is held in place by a spring. First remove the spring, and then remove the hood by pulling it up from the pilot bracket, seen in Figure 36. To remove the existing orifice insert a 5/32" or 4mm Allen wrench into the hexagonal key-way of the orifice and rotate counter-clockwise until free. Insert the new orifice using the same Allen wrench and tighten it until a torque of 9 lbf in (1 Nm) is achieved. Replace the pilot hood by aligning the tab on the base of the hood with the slot in the side of the pilot journal, and push the hood down onto the pilot bracket. Replace the spring by pushing it onto its seat.

Before returning the burner into position, the venturi shutter will have to be adjusted to the correct opening. The correct venturi settings are shown in Figure 37. Loosen the screw and slide the shutter. Tighten the screw, and return the burner into position.

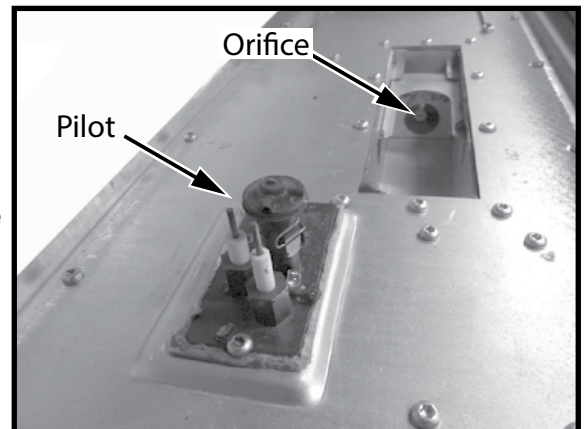


Figure 35: Orifice and pilot.

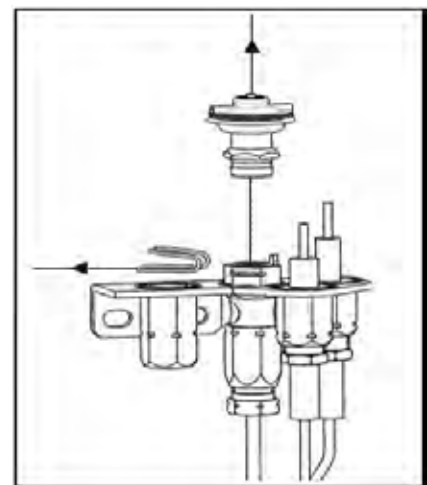


Figure 36: Pilot hood removal.

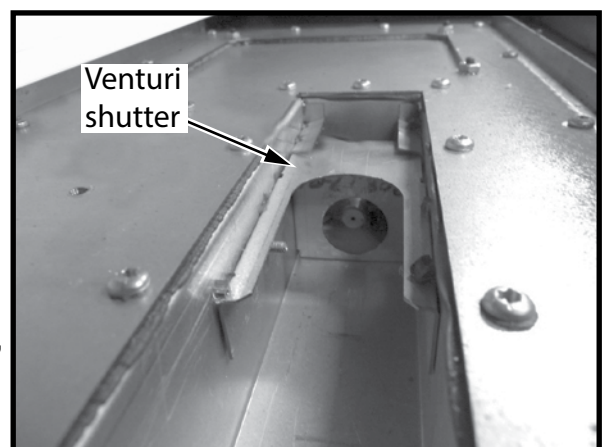


Figure 37: Venturi shutter.

Door Installation/Removal

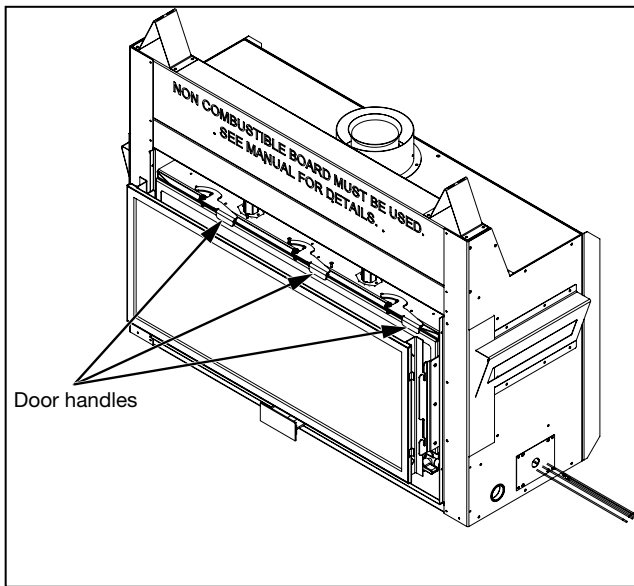


Figure 38: Door handles.

Installation

1. Place the door in the slot at the bottom of the firebox opening. Push the door against the firebox. Push 3 levers at the top of the door to secure the door.

Removal

1. Hold the door. Pull 3 levers to release the door.
2. Lift the door up to release it from the slot on the bottom of the firebox.

Fan Installation / Removal

Fan removal after fireplace installation.

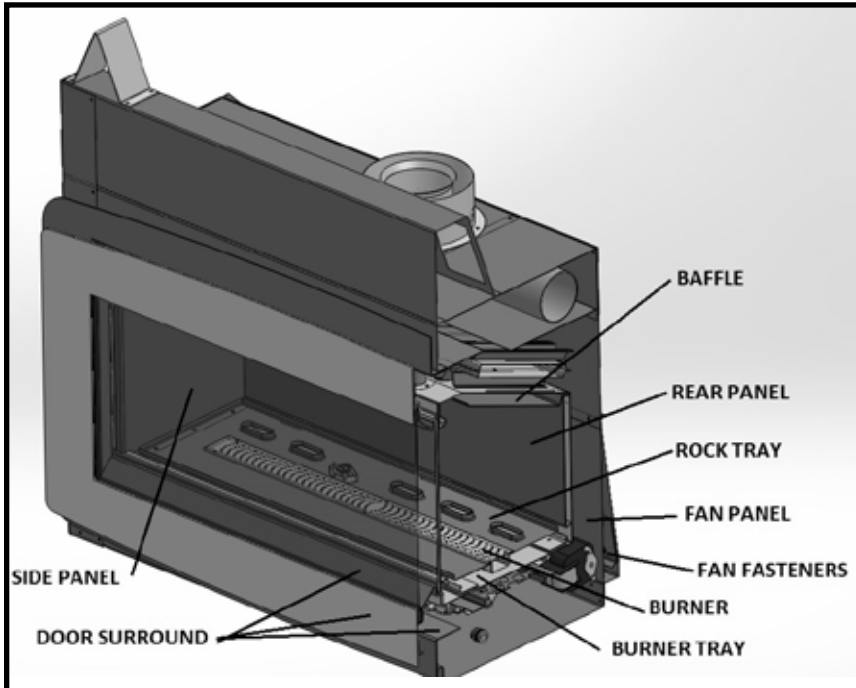


Figure 39: Fan installation and removal.

1. Remove door surround and glass frame with the glass as seen in Figure 39.
2. Turn off main gas supply to unit and disconnect 3/8" flex tubing from inner firebox. Also disconnect power cord from inner firebox.
3. Remove rock tray and burner.
4. Remove baffle, rear panel and side panels.
5. Remove burner tray together with valve assembly.
6. Disconnect fan electrical wires and remove fan fasteners.
7. Remove fan out of the firebox assembly.

Fan removal before fireplace installation.

1. Remove fan panel at the rear side of the fireplace as seen in Figure 39.
2. Disconnect fan electrical wires and remove fan fasteners.
3. Remove fan out of the firebox assembly.

Panel Installation / Removal

Installation/Removal

1. Insert back panel (1) so that it is sitting on ledge at the back of the firebox as shown in Figure 41.
2. Insert first side (2 & 3) panel by inserting the front edge of the panel into the lip at the front of the firebox. Then slide the back of the panel until it reaches the firebox side wall. See Figure 42.
3. Repeat steps 2 for the second side panel.
4. To hold panels in place, install the baffle, from the burner kit, by resting the back flange on top of the back panel and use three screws to secure the front of the baffle to the top of the firebox, seen in Figure 43.
5. Perform panel removal in reverse order.

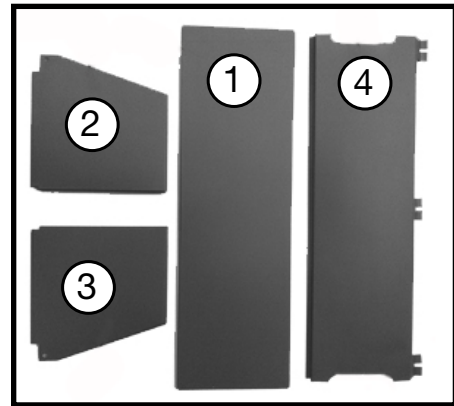


Figure 40: Panel set.

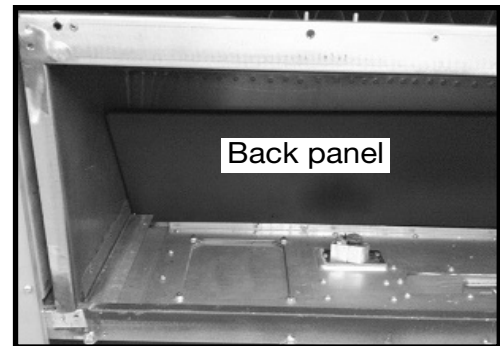


Figure 41: Back panel.

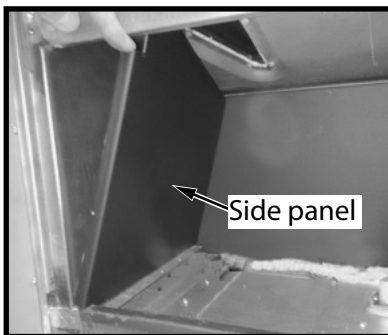


Figure 42: Side panel.

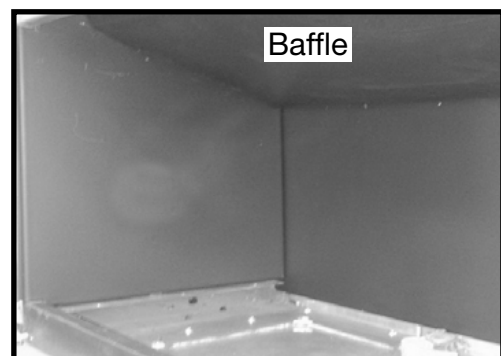


Figure 43: Baffle mounts.

Glass Burner Tray Installation

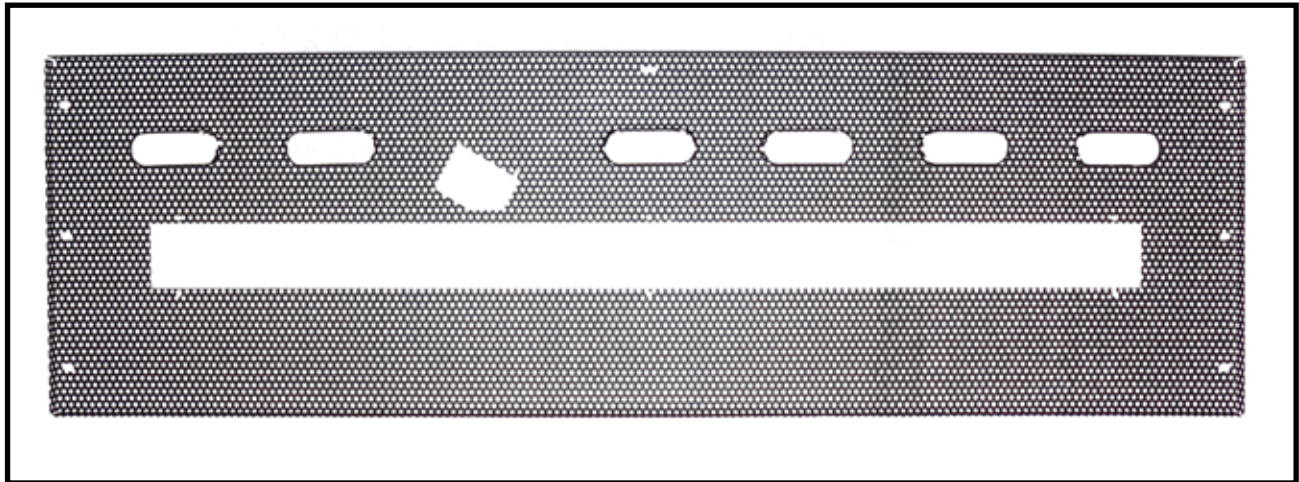


Figure 44: Glass burner tray.

Installation

1. Insert the glass burner tray (Figure 44) into the firebox (Figure 45). Take note of the cut out for the pilot assembly and orient the tray so that the air flow ports are facing up. The edges of these ports will prevent the glass media from falling down into the firebox. Secure the tray to the ledges on all four sides of the firebox with the supplied screws (Figure 46).



Figure 45: Inserting glass media tray.



Figure 46: Securing glass media tray to firebox floor.

2. Insert the burner into the glass media tray and secure with 6 supplied screws (Figure 47 and Figure 48).
3. Once the burner is seated and secured, adjust the venturi air shutter, located under the firebox floor, as follows: for natural gas, keep the setting on the right side of the adjustment slot (Figure 49). For propane gas, keep the setting on the left side of the slot (Figure 50). Further venturi adjustment can be easily made later once the Esprit is lit.

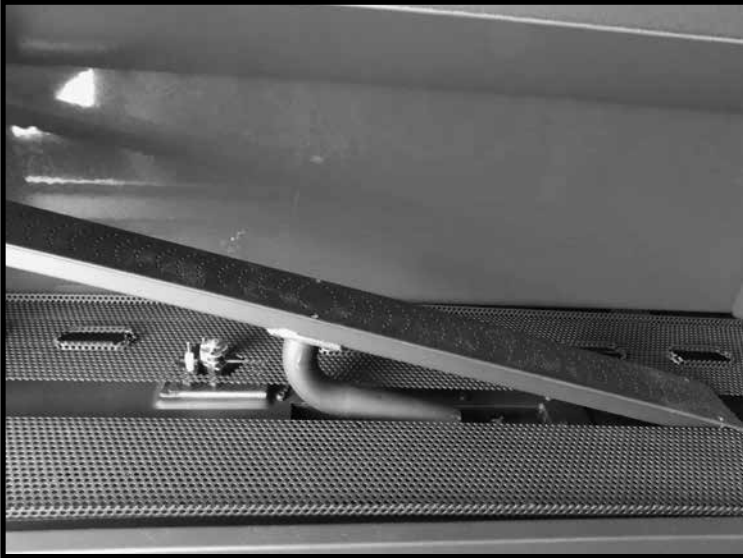


Figure 47: Insertion of burner.



Figure 48: Securing burner to burner tray.

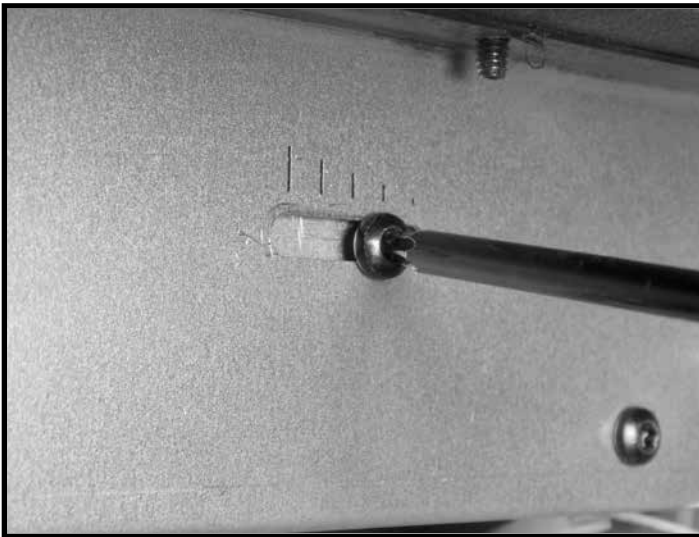


Figure 49: Initial venturi setting for natural gas.

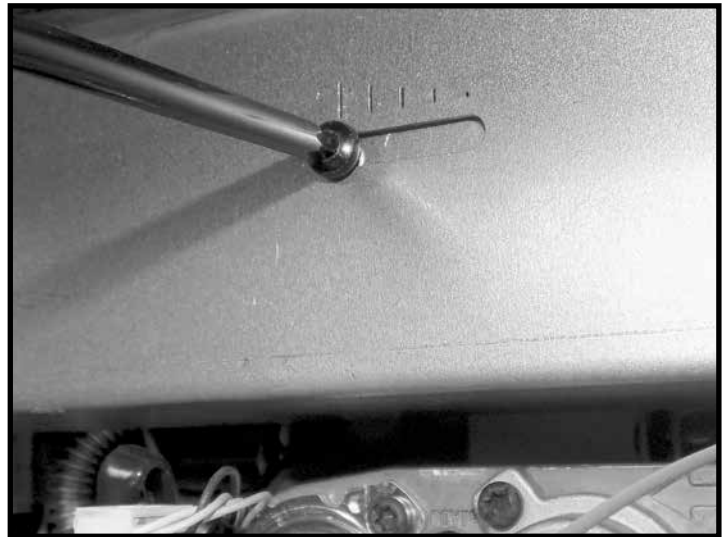


Figure 50: Initial venturi setting for propane gas.

- Place the pilot shield (Figure 51) over the pilot assembly and into the cut out of the glass media tray (Figure 52). Be sure to push the shield down far enough so that the pilot flame is able to reach the burner without being impeded by the shield wall itself.

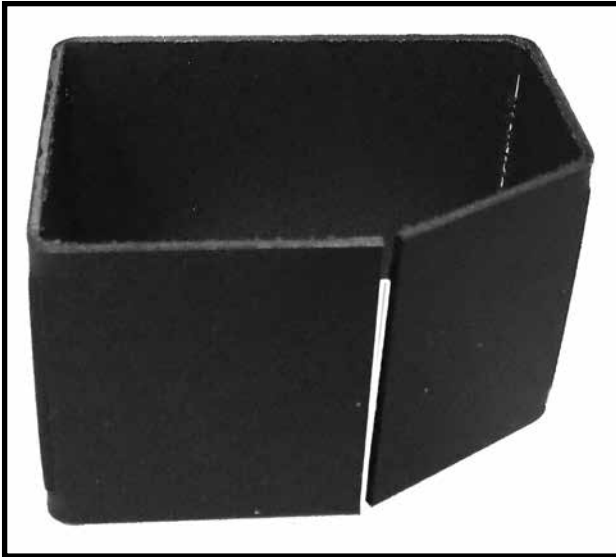


Figure 51: Pilot assembly shield.

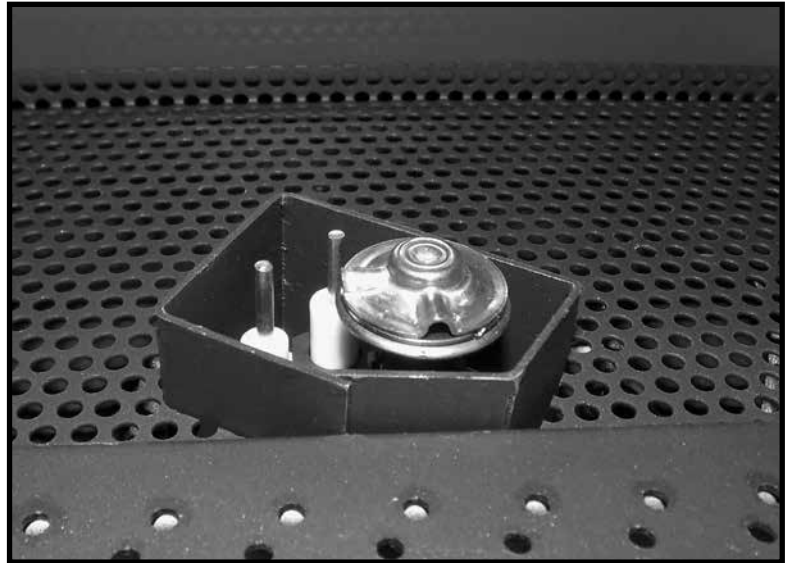


Figure 52: Pilot assembly shield installed.

- Spread glass media evenly over the surface of the burner tray. Use as much glass media as is needed to fully cover the burner tray but not so much that the glass media spills over into the air flow ports (Figure 53).



Figure 53: Glass media installation.

Rock Installation

To install the optional rock set, simply place desired number of rocks into the fireplace pan as seen in Figure 55 making sure no rocks are in the flame when the unit is operating.

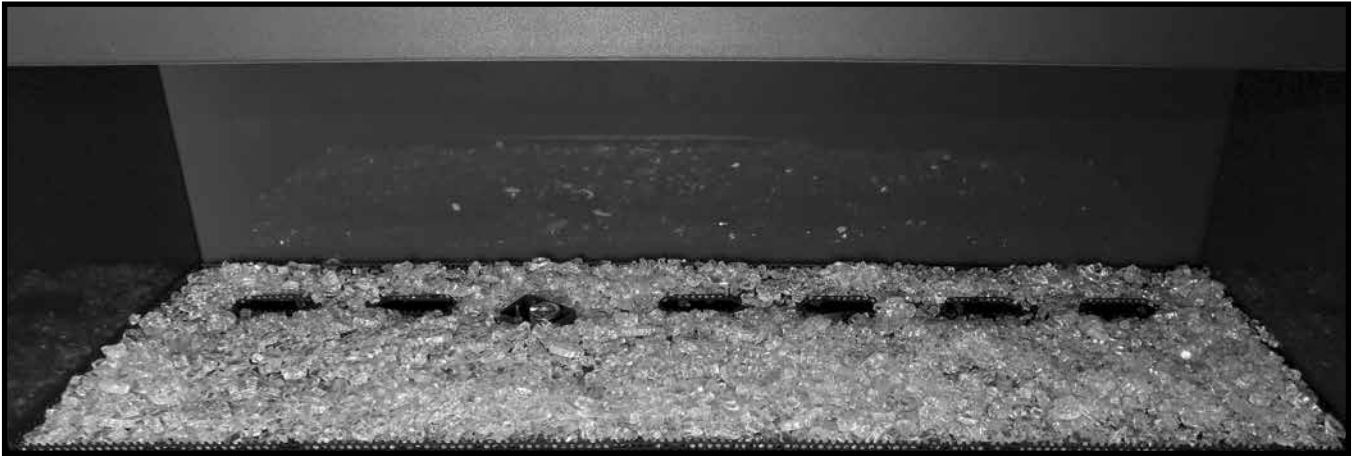


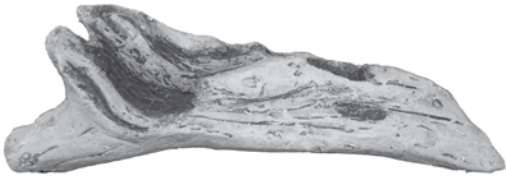
Figure 54: Glass media.



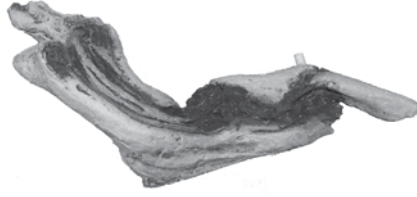
Figure 55: Rock set installation.

Optional Log Set Installation

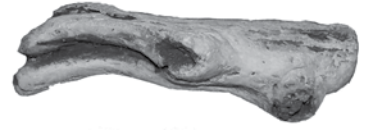
Kit Contents



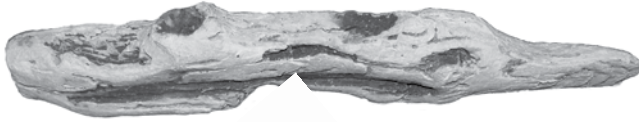
Log number 1



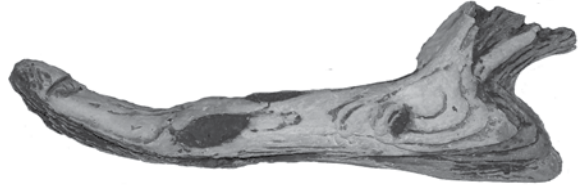
Log number 2



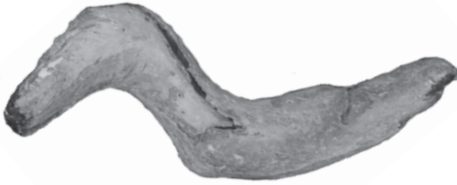
Log number 3



Log number 4



Log number 5



Log number 6



Log numbers 7 & 8

Figure 56: Esprit log set.



Figure 57: Vermiculite.

Log set installation

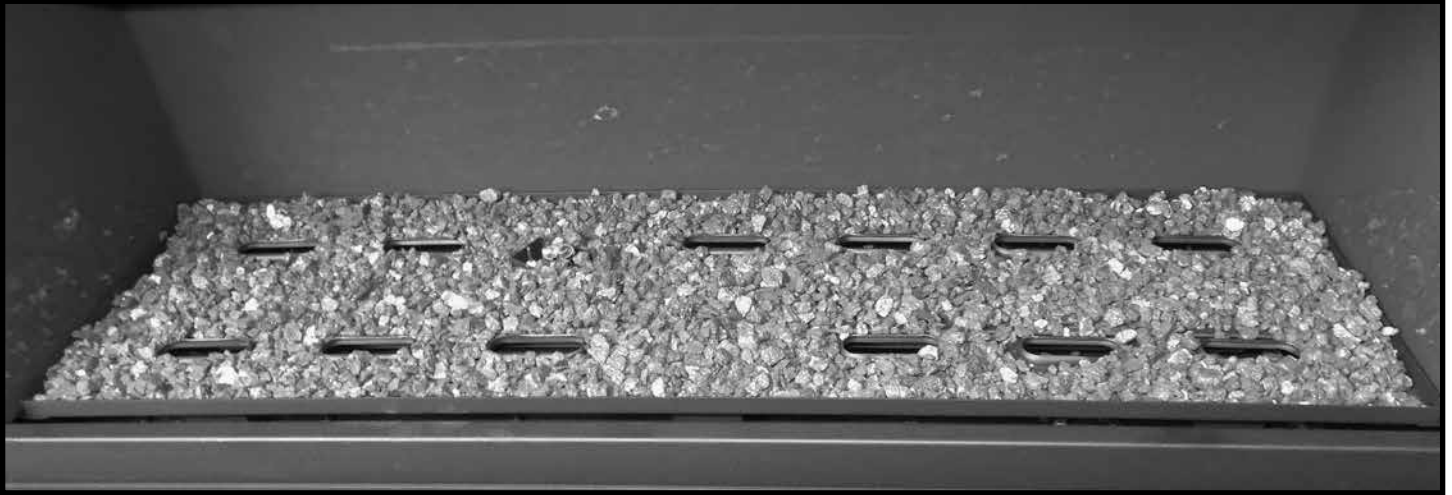


Figure 58: Vermiculite spread evenly over burner tray.

1. Spread vermiculite evenly over the surface of the burner tray. Use as much Vermiculite as is needed to fully cover the burner tray but not so much that the vermiculite spills over into the air flow ports (Figure 58).



Figure 59: Log number 1 position.



Figure 60: Log number 2 position.

1. Place log number one into the left hand corner of the firebox. The back of the log should be up against the rear panel and positioned in such a way so that it is stable and so that it does not cover the air vent port (Figure 59).
2. Position log number two so that its left side is supported by log number one and so that the post on the right side is vertical (Figure 60).



Figure 61: Log number 3 position.



Figure 62: Log number 4 position.

3. Log number three has a hole which is to fit over the post in log number two. The right end of this log is to point toward the right hand side panel (Figure 61).
4. Position log number four so that its thicker end is touching the left side panel (Figure 62). Make sure that this log is forward enough so that none of the air vent ports behind it are being blocked.
5. Log number five is to be positioned as shown in Figure 63. As with log number four, make sure that this log is forward enough so that the air vent ports located behind it are not blocked.
6. Place log number six so that its pointed end rests on top of log number four while its other end extends back towards log number two (Figure 64). Be sure that this log does not cover any of the air vent ports.



Figure 63: Log number 5 position.



Figure 64: Log number 6 position.



Figure 65: Log number 7 position.



Figure 66: Log number 8 position.

7. Logs number seven and eight are identical. Place one at either end of the firebox as desired (Figure 65 and Figure 66).



Figure 67: Completed log placement.

Intake Air Damper Installation

The Esprit fireplaces come with the damper that can limit the flow of intake air. This damper is located behind the air baffle at the top of the inner firebox. Sometimes on installations that involve vertical venting configurations over 23 feet in height, the intake air tends to accelerate down the vent causing hectic flame action. This damper can be closed to reduce the speed of the intake air and thus calm the flames to a more natural look. See page 21 to check if damper required for installation.

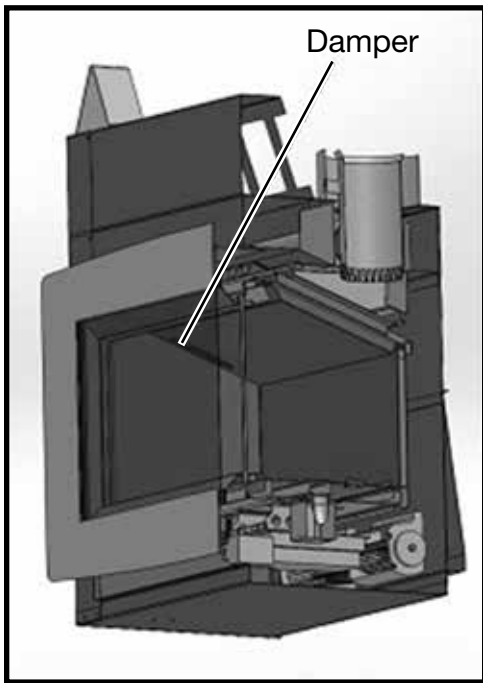


Figure 68: Air damper location.

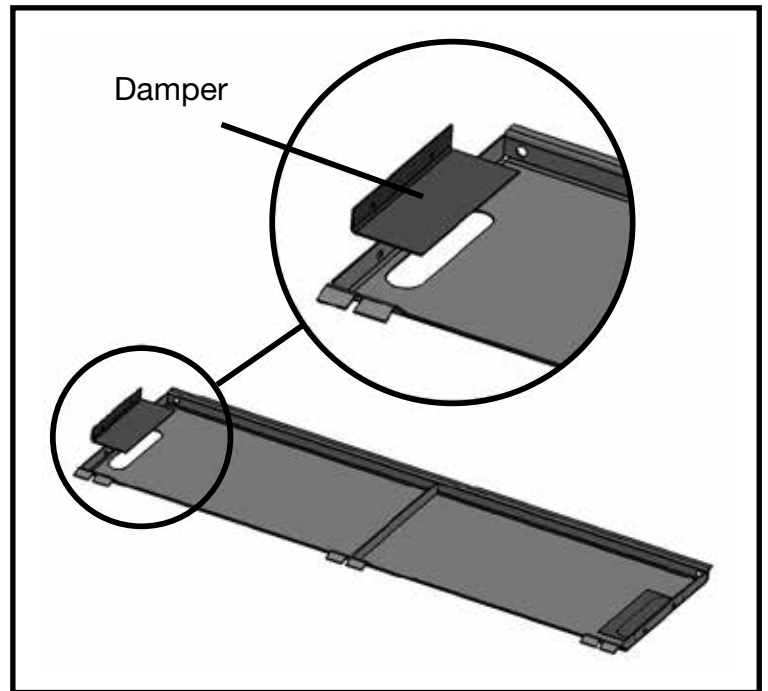


Figure 69: Damper detail.

Replacement Parts

ESPRIT LINEAR GAS FIREPLACE SALES CODES

UNIT	PART	SKU
ESPRIT LINEAR GAS FIREPLACE	ESPR.BODYA	1203003

REPLACEMENT PARTS

ESPRIT REPLACEMENT DOOR WITH GLASS	PERP.3008	80000867
ESPRIT REPLACEMENT SCREEN.....	ESPR.SCRNA	80000164
COMPLETE REPLACEMENT GAS TRAY	PERP.3004	80000864
REPLACEMENT GAS VALVE	GASC.VALVEA	80000194
REPLACEMENT CONTROL MODULE.....	GASC.MODA	80000192
REPLACEMENT PILOT ASSEMBLY.....	GASC.PILOTA	80000193
REPLACEMENT REMOTE CONTROL	GASC.CNTRLA	80000191
REPLACEMENT BLOWER.....	ESPR.BLOWA	12140003

BURNER OPTIONS

LOG BURNER SET.....	ESPR.NG01A	12150007
GLASS BURNER SET	ESPR.NG03A	12150006
GLASS 5LB BLACK	GASC.5GLBK	12160014
GLASS 5LB TWILIGHT.....	GASC.5GLTW	12160016
GLASS 5LB DESERT	GASC.5GLDE	12160013
GLASS 5LB PACIFIC	GASC.5GLPA	12160015

PANEL SETS

PORCELAIN PANEL SET BLACK.....	ESPR.PNPBKA	12200026
PORCELAIN PANEL SET TITANIUM.....	ESPR.PNPTIA	12200028
PORCELAIN PANEL SET COFFEE BEAN	ESPR.PNPCBA	12200823
PORCELAIN PANEL SET COPPER.....	ESPR.PNPCUA	12200024
PORCELAIN PANEL SET RED	ESPR.PNPRDA	12200027
PORCELAIN PANEL SET IVORY	ESPR.PNPIYA	12200025

SURROUND AND TRIM OPTIONS

CONTEMPORARY BACKING PLATE BLACK	ESPR.CSURRA	12120019
CONTEMPORARY BACKING PLATE GREY.....	ESPR.CSURGYA	12120018
CONTEMPORARY FRONT TRIM PLATE.....	ESPR.CSTGYA	12210021
CONTEMPORARY FRONT TRIM PLATE - BLACK	ESPR.CSTBKA	12210023
CONTEMPORARY FRONT TRIM PLATE - STAINLESS	ESPR.CSTSSA	12210025
LOUVERED SURROUND BLACK	ESPR.LVSBKA	12210024
LOUVERED SURROUND GREY	ESPR.LVSGYA	12210022

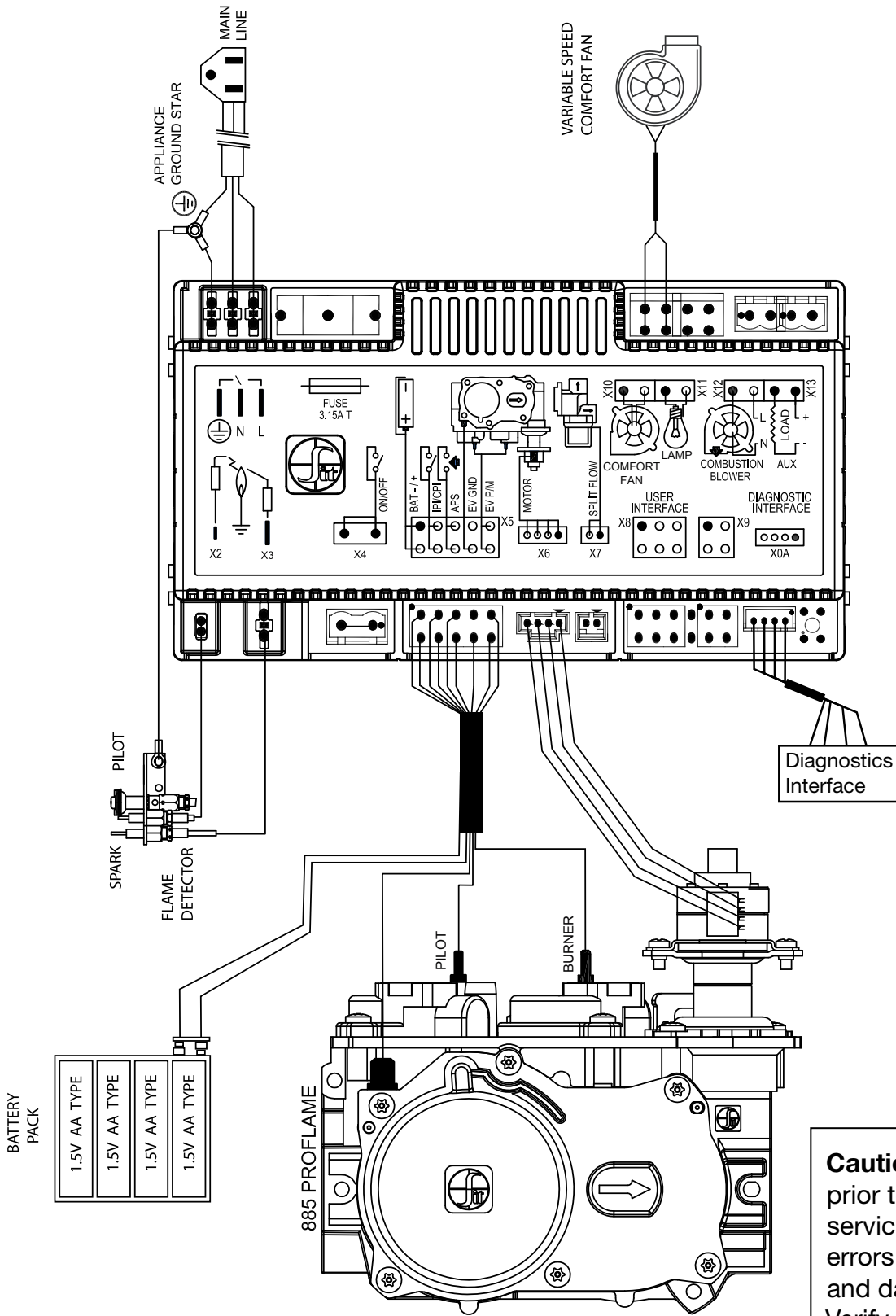
DESIGN OPTIONS

TRANQUILITY ROCK SET	GASC.TRANQA	12160017
METRO ROCK SET - BLACK.....	GASC.METROBKA	12160018
METRO ROCK SET - GREY.....	GASC.METROGYA	12160019

PERFORMANCE OPTIONS

LP CONVERSION KIT	GASC.LPKIT	12180002
-------------------------	------------------	----------

Wiring Diagram



Caution: Label all wires prior to disconnection when servicing controls. Wiring errors can cause improper and dangerous operation. Verify proper operation after servicing.

Rating Label



MODEL/ MODELE:
ESPRIT

SERIES/
SERIE: **B**

MADE IN CANADA
FABRIQUE AU CANADA

VENTED GAS FIREPLACE HEATER - NOT FOR USE WITH SOLID FUEL//FOYER AU GAZ À ÉVACUATION - NE PAS UTILISER AVEC DU COMBUSTIBLE SOLIDE

LC- 206

ANSI Z21.88-2014 / CSA 2.33-2014 Vented Gas Fireplace Heaters
CAN/CGA 2.17-M91 Gas-Fired Appliance For Use At High Altitudes.

This Appliance is Equipped For Use With /
Cet Appareil est Équipé Pour Utiliser Avec :

Certified for / Certifié pour Canada and U.S.A.

NATURAL GAS ■ LP-GAS ■
GAZ NATUREL ■ LP GAZ ■

FOR USE WITH/ EN CASE D'EMPLOI AVEC:	NATURAL GAS/ DU GAZ NATUREL	LP GAS/ DU GAZ LP
Minimum supply pressure / Pression minimum d'alimentation: (For the purpose of input adjustment / dans le but de régler l'alimentation) Maximum supply pressure / Pression maximum d'alimentation:	5.0 in/wc / 5.0 po/c.e. (1.25 kPa) 13.9 in/wc / 13.9 po/c.e. (3.45 kPa)	12.5 in/wc / 12.5 po/c.e. (3.11 kPa) 13.9 in/wc / 13.9 po/c.e. (3.45 kPa)
Manifold pressure / Pression de la tuyauterie: Maximum	3.5 in/wc / 3.5 po/c.e. (.87 kPa)	10.0 in/wc / 11.0 po/c.e. (2.74 kPa)
Orifice Size / Diametre de l'injecteur:	"EN"	"EP"
Input BTU/hr (kW) / Entree BTU/h (kW):	Max.:30,000Btu (8.8kw) Min.: 22,000Btu (6.4kw)	Max.:26,000Btu (7.6kw) Min.:20,000Btu (5.7kw)

Unit electrical rating: 115v, 60hz, 0.52A / Normes electriques du unité: 115v, 60hz, 0.52 A

This appliance equipped for altitudes 0 - 4500 ft. (0 - 1372 m) / Cet unité est conçu pour des altitudes variant entre 0 - 4500 pieds (0 - 1372 m). In Canada, also certified for installation in a bedroom or a bedsitting room / Aussi certifié pour installation dans une chambre à coucher ou une salle de séjour. This appliance must be installed in accordance with local codes, if any; if none, follow the current CAN/CGA-B149 (Canada), or ANSI Z223.1 (USA) Installation Codes. Installer l'appareil selon les codes ou règlements locaux, ou, en l'absence de tels règlements, selon les codes d'installation CAN/CGA-B149 (Canada), or ANSI Z223.1 (USA) en vigueur.

MANUFACTURED (MOBILE) HOME: This appliance is only for use with the type of gas indicated on the rating plate and may be installed in an aftermarket, permanently located, manufactured (mobile) home where not prohibited by local codes. See owners manual for details.

FABRIQUEZ (MOBILE) MAISON: Cet appareil doit être utilisé uniquement avec le type de gaz indiqué sur la plaque signalétique et peut être installé dans une maison préfabriquée (mobile) installée à demeure si les règlements locaux le permettent. Voir la notice du propriétaire pour plus de détails. Cet appareil ne peut être converti à d'autres gaz sauf si une trousse de conversion certifiée est utilisée.

Install in accordance with the current standard Mobile Homes, CAN/CSA Z240 MH (in CANADA), and the Manufacturer's Home Construction and Safety Standard, Title 24 CFR, Part 3280, or the current Standard for Fire Safety Criteria for Manufactured Home Installations, Sites, and Communities ANSI/NFPA 501A, (in the U.S.A.). Cet appareil doit être installé conformément aux exigences de la norme CAN/CSA Z240 MH en vigueur de l'ACNOR, Installations de gaz dans les Constructions Mobiles.

FOR USE WITH GLASS DOORS CERTIFIED WITH THE APPLIANCE ONLY / POUR UTILISATION UNIQUEMENT AVEC LES PORTES IN VERRE CERTIFIÉES AVEC L'APPAREIL

MINIMUM CLEARANCES TO COMBUSTIBLES / CLAIRANCES MINIMALES AVEC LES COMBUSTIBLE

Left and Right side are determined when facing the front of the appliance. / Les côtés droit et gauche se déterminent en se mettant devant l'appareil et en lui faisant face.

Non combustable cement board must be installed to a height of 24" above this appliance. Ne panneaux de ciment combustable doit être installé à un height d' 24 "au-dessus de cet appareil
Sidewall to Appliance / Du mur latéral à l'appareil
Minimum clearance from ceiling to Appliance (TOP OF GLASS) / Distance minimale de plafond à l'appareil (haut de verre)

*8 in. (203 mm)
* 36 in. (914mm)

Pacific Energy
Fireplace Products Ltd.
Duncan, British Columbia,
Canada

P4.1 -15 Efficiency: 74.5%

Date of Manufacture

WARNING: Improper installation, adjustment, alteration, service or maintenance can cause injury or property damage. Refer to the owner's information manual provided with this appliance. For assistance or additional information, consult a qualified installer, service agency or the gas supplier.

AVERTISSEMENT: Une installation, un réglage, une modification, une réparation ou un entretien mal effectué peut causer des dommages matériels ou des blessures. Voir la notice de l'utilisateur qui accompagne l'appareil. Pour de l'aide ou des renseignements supplémentaires, consultez un installateur, un technicien agréé ou le fournisseur de gaz.

130323

100004071

ESPR.BODYB





100000326

42

130323-44 ESPRIT



© 2023 Copyright Pacific Energy Fireplace Products LTD

Reproduction, adaptation, or translation without prior written permission is prohibited, except as allowed under the copyright laws.



For technical support, please contact your retailer

**Web site: www.pacificenergy.net
2975 Allenby Rd., Duncan, BC V9I 6V8**

Printed in Canada