

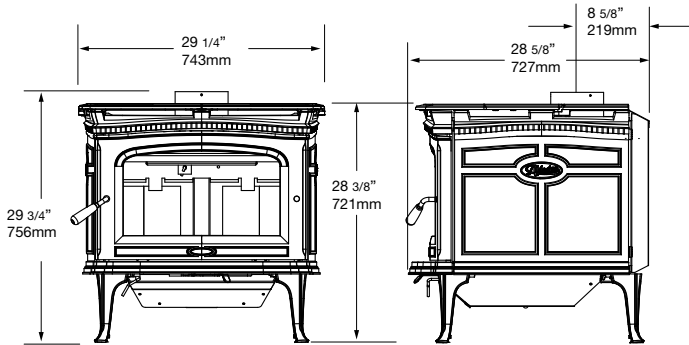


# ALDERLEA T6 LE

FOR LARGE SPACES



## UNIT DIMENSIONS



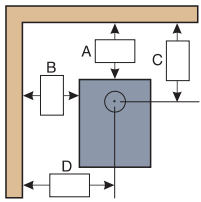
## TECHNICAL DATA

### 41,275 BTU EPA Test Fuel

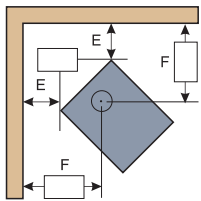
Efficiency (HHV)	74%
Emissions	1.8 gm/hr.
Log Size (recommended)	18"
Log Size (max)	20"
Firebox Size	3.0 cu.ft.
Viewing Area	185 sq.in.

## CLEARANCES TO COMBUSTIBLES

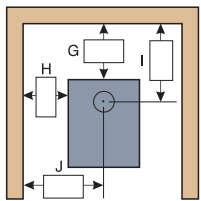
From top of stove to ceiling: **54"**



STRAIGHT



CORNER



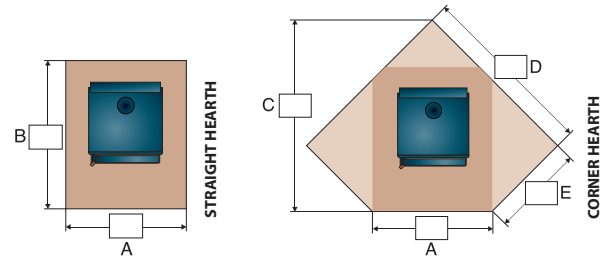
ALCOVE

	RESIDENTIAL SINGLE WALL	RESIDENTIAL DOUBLE WALL	MOBILE HOME DOUBLE WALL
A	9"	7 1/2"	10"
B	14"	13"	18"
C	17 5/8"	16 1/8"	18 5/8"
D	28 3/4"	27 5/8"	32 5/8"

E	6"	5"	8"
F	20 1/8"	19 1/8"	22 1/8"

G	N/A	10"	N/A
H	N/A	16"	N/A
I	N/A	18 5/8"	N/A
J	N/A	30 5/8"	N/A

## FLOOR PROTECTOR DIMENSIONS



	MINIMUM	RESIDENTIAL SINGLE WALL	RESIDENTIAL DOUBLE WALL	ALCOVE DOUBLE WALL	MOBILE HOME
CANADA	A	43"	43"	43"	43"
	B	51"	52"	50 1/2"	53"
	C	-	62 7/8"	61 3/8"	-
	D	-	59 5/8"	58 5/8"	-
	E	-	29 1/4"	28 1/4"	-

USA	A	36"	36"	36"	36"
	B	41"	50"	48 1/2"	51"
	C	-	60 7/8"	59 3/8"	-
	D	-	55 3/4"	54 3/4"	-
	E	-	30 1/4"	29 1/4"	-