

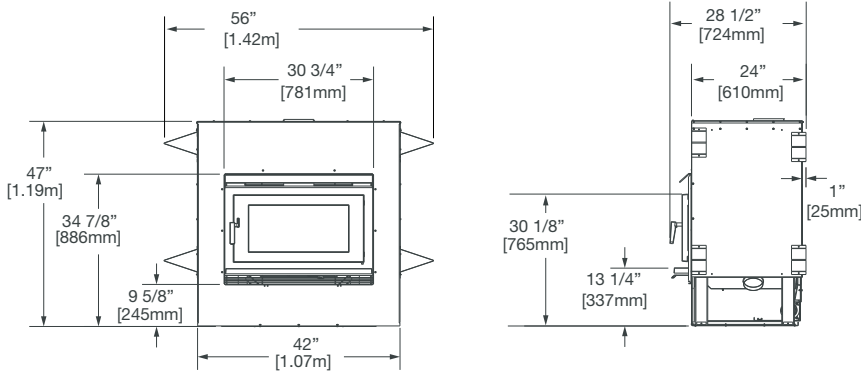


FP30 ARCH LE

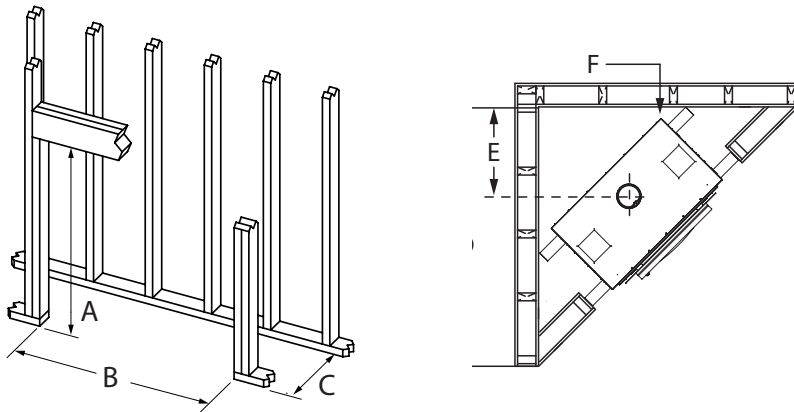
FOR LARGE SPACES



UNIT DIMENSIONS



FRAMING DIMENSIONS



A	63 1/2"
B	56"
C	24"
D	73 1/2"
E	25 1/4"
F	5 1/2"

TECHNICAL DATA

99,000 BTU Cord Wood

65,650 BTU EPA Test Fuel

Efficiency (LHV)	76.8%
Emissions	1.7 gm/hr.
Log Size (recommended)	16"
Log Size (max)	20"
Firebox Size	3.0 cu.ft.
Glass Viewing Area	246 sq.in.
Weight	626 lb.

CLEARANCES

Minimum distance to the underside of the Mantel (max 12" deep) from the top of the Heat Exchanger Air Deflector.	20" (508mm)
Minimum distance to the adjacent wall from the side of the fireplace door.	30" (760mm)
Minimum distance to the Mantel side facing (max 4" deep) from the side of the fireplace door.	10" (255mm)
Minimum width of floor protection from side of door opening.	8" (200mm)
Minimum depth of non-combustible ember protector: from the front of the fireplace.	18" (457mm)