

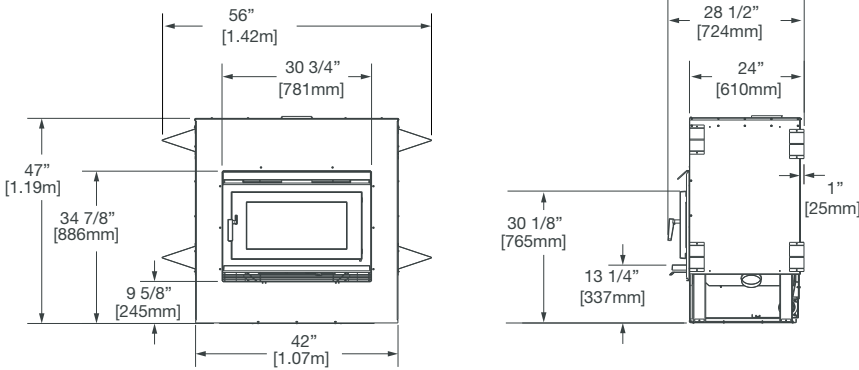


# FP30 LE

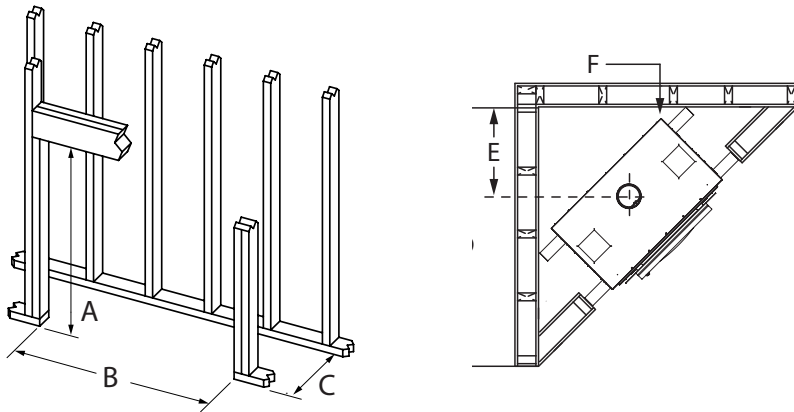
FOR LARGE SPACES



## UNIT DIMENSIONS



## FRAMING DIMENSIONS



A	63 1/2"
B	56"
C	24"
D	73 1/2"
E	25 1/4"
F	5 1/2"

## TECHNICAL DATA

### 99,000 BTU Cord Wood

65,650 BTU EPA Test Fuel

Efficiency (LHV)	76.8%
Emissions	1.7 gm/hr.
Log Size (recommended)	16"
Log Size (max)	20"
Firebox Size	3.0 cu.ft.
Glass Viewing Area	246 sq.in.
Weight	626 lb.

## CLEARANCES

<b>Minimum distance to the underside of the Mantel</b> (max 12" deep) from the top of the Heat Exchanger Air Deflector.	20" (508mm)
<b>Minimum distance to the adjacent wall</b> from the side of the fireplace door.	30" (760mm)
<b>Minimum distance to the Mantel side facing</b> (max 4" deep) from the side of the fireplace door.	10" (255mm)
<b>Minimum width of floor protection</b> from side of door opening.	8" (200mm)
<b>Minimum depth of non-combustible ember protector:</b> from the front of the fireplace.	18" (457mm)